



Brochure

NEMA explosion proof AC and DC Motors

NEMA explosion proof AC and DC motors

ABB (www.abb.com) is a leader in power and automation technologies that enable utility and industry customers to improve their performance while lowering environmental impact. The ABB Group of companies operates in around 100 countries and employs about 150,000 people.



NEMA explosion proof AC and DC motors

Table of contents

Specifications and features

- 4 Features
- 5 Division 1 capabilities
- 6 North American certifications
- 8 Outside North America certifications
- 10 Design features

Motor performance data and dimensions

- 12 Rigid base
- 16 C-face
- 20 Severe duty
- 21 Drill rig duty
- 23 50 Hz
- 24 Brake motors
- 24 Pump motors
- 26 Submersible
- 27 Adjustable speed AC motors
- 29 Adjustable speed DC motors
- 30 Motor dimensions
- 48 Connection diagrams

NEMA explosion proof AC and DC motors

Features

The right motor for your hazardous environment application

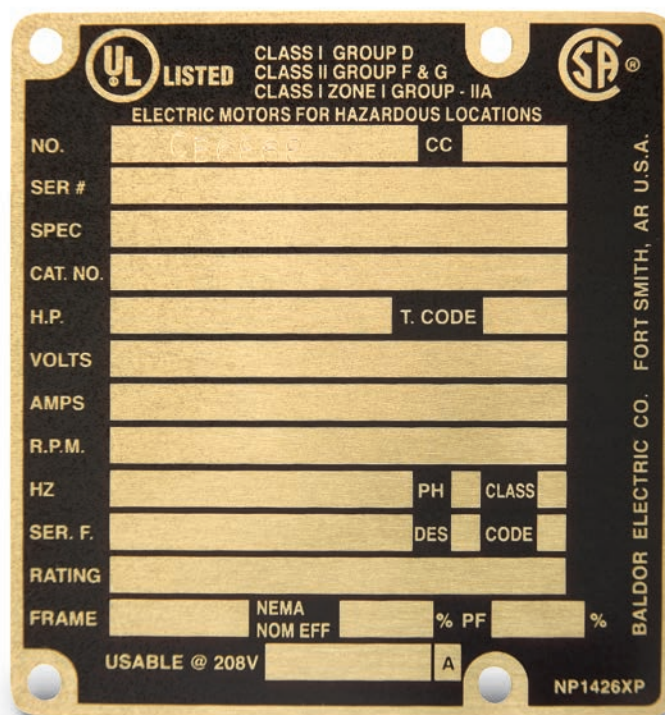
Baldor•Reliance® motors are available with a wide range of certifications for use in Hazardous Locations or potentially Hazardous Environments where concentrations of combustible gasses, vapors and or dust are present or present some of the time.

Typical customer applications that are in Class I environments (flammable gases & vapors) include:

- Spray painting and finishing areas
- Utility gas plants
- Petroleum refining plants
- Petroleum dispensing locations
- Dry cleaning facilities
- Dip tanks containing combustible or flammable fluids
- Plant facilities extracting solvents
- Inhalation anesthetic areas
- Process facilities manufacturing or using nitro-cellulose (class II as well).
- Aircraft hangars and fuel servicing areas.
- Gas stations

Typical customer applications that are in Class II environments (combustible dust) include:

- Flour mills
- Feed mills
- Grain elevators and grain handling facilities
- Fire work plants and storage areas
- Aluminum manufacturing and storage areas
- Magnesium manufacturing and storage areas.
- Coal preparation and handling facilities
- Starch manufacturing and storage areas
- Confectionary plants
- Pulverized sugar and cocoa manufacturing plants. Packaging and storage plants.
- Spice grinding and storage plants.



Baldor•Reliance® Explosion proof motors are easily recognizable by their nameplates that include the listing agency approval logos as well as all specific Class, Group and Temperature Code information.

Leadership in premium efficiency

As countries and regions across the world establish minimum efficiency levels for motors, more companies are turning to the Baldor•Reliance Super-E®. This includes plant and processing applications, as well as OEM products for shipment overseas. Super-E motors meet or exceed the efficiency levels defined by The Energy Independence & Security Act of 2007 (EISA) in the U.S., NRC in Canada, and IEC 60034-30 IE3 level in Europe. Super-E motors meet or exceed NEMA Premium® efficiencies.

A wide selection of premium efficient motors, available from stock, manufactured and sold by a company committed to building better products for industries worldwide, and recognized as the worldwide leader in energy efficient motors and drives.

NEMA explosion proof AC and DC motors

Division 1 capabilities

Baldor•Reliance® Division 1, explosion proof motor capabilities – 1/4 hp to 800 hp

NEMA frame size capability

Division 1 enclosures: available as Class I, Group C&D and Class II, Groups F&G in all sizes. Class I, Group D and Class II, Groups E, F & G are available in cast iron frames 182T and larger.

Single phase – 0.18 to 4 kW (1/4 to 5 hp) (48 to 215T frame), three phase – 0.18 to 224 kW (1/4 to 300 hp) (48 to 449 frame)

kW	Hp	3600 RPM	1800 RPM	1200 RPM	900 RPM
0.18	0.25	–	48	–	–
0.25	0.33	48	48	56	–
0.37	0.50	56	48	56	143T
0.56	0.75	56	56	56	145T
0.75	1	56	56	56	182T
1.12	1.5	143T	56	145T	184T
1.5	2	145T	56	184T	213T
2.2	3	145T	182T	213T	215T
4	5	184T	184T	215T	254T
5.6	7.5	184T	213T	254T	256T
7.5	10	215T	215T	256T	284T
11	15	254T	254T	284T	286T
15	20	256T	256T	286T	324T
18.7	25	284TS	284T	324T	326T
22.4	30	286TS	286T	286T	364T
29	40	324TS	324T	364T	365T
37	50	326TS	326T	365T	404T
44	60	364TS	364T	404T	405T
56	75	365TS	365T	405T	444T
75	100	405TS	405T	444T	445T
93	125	444TS	444T	445T	447T
112	150	445TS	445T	449T	449T
149	200	449TS	447T	449T	–
187	250	449TS	447T	449T	–
224	300	449TS	449T	–	–

Above NEMA frame capabilities

All large AC division 1 motors have the following specifications: TEFC enclosure, 1.0 service factor, 40C ambient, B rise at 1.0 SF Cast aluminum rotor, rigid shaft, anti-friction bearings, self-greasing

Division 1 enclosures: available as Class I, Group C&D, and may be combined with Class II, Group E, Group E&F, Group F&G, Group G.

Three phase: 460, 2300, 4000 volts

kW	Hp	3600 RPM	1800 RPM	1200 RPM	900 RPM
112	150	E449	E449	E449	E5010
149	200	E449	E449	E5010	E5010
187	250	E5010	E5010	E5010	E5810
224	300	E5010	E5010	E5810	E5810
261	350	E5010	E5010	E5810	E5810
298	400	E5010	E5010	E5810	E5810
336	450	E5010	E5810	E5810	E5810
373	500	–	E5810	E5810	E5810*
447	600	–	E5810	E5810	–
522	700	–	E5810	E5810*	–
597	800	–	E5810*	–	–

Note: ** denotes Copper Bar Rotor.

Three phase: 6600 volts

kW	Hp	3600 RPM	1800 RPM	1200 RPM	900 RPM
187	250	E5010	E5010	E5810	E5810
224	300	E5010	E5010	E5810	E5810
261	350	E5010	E5010	E5810	E5810
298	400	–	E5810	E5810	E5810
336	450	–	E5810	E5810	–
373	500	–	E5810	–	–

NEMA explosion proof AC and DC motors

North American certifications

Baldor•Reliance® explosion proof motors for the North American marketplace

In the North American marketplace, Underwriters Laboratories (U.L.) and the Canadian Standards Association (CSA) are used as certifying bodies to approve and label electric motors for use in division based hazardous locations per NFPA70 National Electric Code (NEC) and C22.1, the Canadian Electric Code. Explosion proof motors may be marked with one or more of the following:



UL Listing mark for use in the United States. Products with this mark have been evaluated to U.S. safety requirements.



CSA Listing mark for use in Canada and the United States. The product is certified to the applicable American and Canadian standards



CSA Listing mark for use in Canada. The product is certified to the applicable Canadian standards

Hazardous area classifications

Division - defines how often the potentially explosive materials are present during normal operating conditions.

Division 1: Ignitable concentrations are present all or most of the time

Division 2: Ignitable concentrations are not likely to be present during normal operation

Classes and groups - define the type of potentially explosive atmosphere and the specific materials it contains.

Hazard Class	Groups per NEC 500	Substance
Class I Flammable gases / vapors / liquids	Group A	Acetylene
	Group B	Hydrogen
	Group C	Ethylene
	Group D	Propane
Class II Combustible dusts	Group E	Metal Dust
	Group F	Coal Dust
	Group G	Grain Dust
Class III Ignitable fibers and flyings	Not divided into Groups. 165°C maximum temperature limit for all Class III equipment not subject to overloading. 120°C maximum temperature limit for all equipment subject to overloading	

Surface temperatures

The "T" Code identifies the maximum absolute motor surface temperature that will be developed under all conditions of operation, and is chosen to be below the ignition temperature of the potential explosive material in the hazardous area. Surface temperatures of Baldor•Reliance explosion proof motors will not exceed the following UL and CSA maximums under fault conditions.

T Code	Maximum motor surface temperature		T Code (continued)	Surface temperature	
	°C	°F		°C	°F
T1	450	842	T3A	180	356
T2	300	572	T3B	165	329
T2A	280	536	T3C	160	320
T2B	260	500	T4	135	275
T2C	230	446	T4A	120	248
T2D	215	419	T5	100	212
T3	200	392	T6	85	185

NEMA explosion proof AC and DC motors

North American certifications

Baldor•Reliance® Division 1, Class & Group stock ratings

All Division 1, stock motor ratings will have a red circle symbol next to the catalog # that indicates the explosion proof Class and Group the motor is certified to meet.

XP Class & Group Symbol	Description
1	Class I, Group D
2	Class I, Group D, Class II, Group F & G
3	Class I, Group D, Class II, Group E, F & G
4	Class I, Group C & D
5	Class I, Group C & D, Class II, Group F & G

Thermal protection

As required by UL and CSA, explosion proof motors with Class II, Group F&G approvals must have over temperature protection. Internally mounted automatic thermal overloads (ATO's) are used on motors 1.12 kW (1.5 hp) and less. Explosion proof motors 1 hp and larger without ATO's have thermostats built in for thermal protection. It is the installer's responsibility to make sure that these devices are properly connected to a suitable switching device.

Inverter duty applications

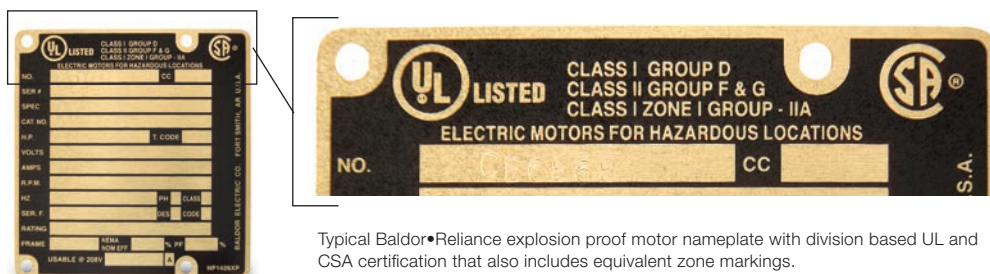
Only Explosion proof motors which are specifically approved and UL listed for use on adjustable frequency drives can be used on inverters. See Pages 27 to 30 in this brochure for more information.

Ambient temperatures

Stock explosion proof motors are suitable for applications in temperatures from -25°C (-13°F) to +40°C (+104°F). Custom motor designs are available for applications in temperatures between -25°C and -60°C and above +40°C. Contact your regional support office for further information.

Equivalent zone markings

NEC Article 505 and 506 define a North American System of Zone Classification for Gas & Dust. Most Baldor•Reliance division based explosion proof motors 50 hp and below, include these equivalent zone markings on the nameplate as standard. Equivalent zone markings can be added upon request to other ratings. Contact your regional support office for assistance.



Typical Baldor•Reliance explosion proof motor nameplate with division based UL and CSA certification that also includes equivalent zone markings.

Caution

Motors misapplied in hazardous environments can cause a fire or explosion resulting in destruction of property, serious injury or death. Only the end user or a qualified underwriter is to identify and select the proper class, group, division, and temperature code motor to meet the requirements of each installation. Baldor, A Member of the ABB Group, personnel, agents and distributors can advise what listings and approvals Baldor, A Member of the ABB Group, motors carry, but cannot evaluate nor recommend what motors may be suitable for use in hazardous environments.

NEMA explosion proof AC and DC motors

Outside North America certifications

Custom NEMA explosion proof motors for outside North America

A wide variety of custom NEMA explosion proof motors are available for use outside the US market where IEC based standards of certification are required.

Europe - ATEX directive

IEC standards that have been adopted by countries in Europe are known as European Norms (EN). Directives (laws) are issued by the European Union (EU) based on these EN standards. Equipment tested to EN standards bears a CE mark. The CE mark is a mandatory conformity mark for products placed on the market in the European Union. With the CE marking on a product, the manufacturer ensures that the product conforms to the essential requirements of the applicable EC directives.



Explosion proof products that are placed on the European market must be certified to the ATEX directive (ATEX 94/9/EC). The objective of ATEX is to ensure the free movement of goods that are suitable for use in explosive atmospheres throughout the European Union. Offering one harmonized compliance procedure accepted by all EU countries eradicates the need for differing national standards. Baldor•Reliance® motors use SIRA as the 3rd party Notified Body for ATEX certification.



Globally (outside Europe) – IECEx system

The IECEx Scheme is the future route to global compliance certification. Its aim is to harmonize standards to allow free movement of goods by establishing a world-wide accepted standard. The IECEx scheme significantly reduces the need for re-testing and certification by conforming to international IEC standards, and therefore makes international trade easier, quicker and more cost effective.



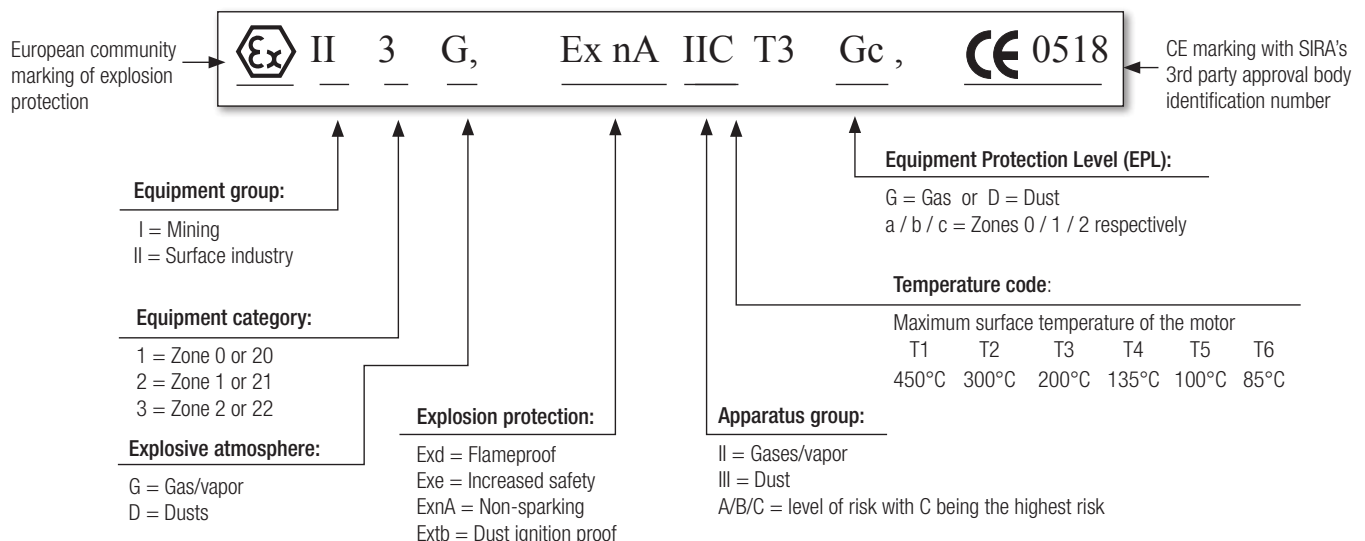
All Baldor•Reliance ATEX custom motors are dual labeled with our IECEx certification number to satisfy the broader international market.

Certificate of conformity for exports to Russia - GOST-R

GOST R certification is required for customs clearance in Russia and as an aid to sell or market the equipment within the country. Additionally, the RTN Use Permit (Rostechnadzor) allows the equipment to be installed and operated in Russia. Both of these can be provided upon request for all variants of our ATEX/IECEx flameproof product offering.



Typical ATEX markings:



NEMA explosion proof AC and DC motors

Outside North America certifications

Custom ATEX capabilities matrix - Group II (surface industry applications)

Environment	Explosion protection	Max. kW (HP)	NEMA Frame (IEC)	Max. voltage	Apparatus group	Temp code	Ambient temp. °C (°F)
Explosive gas Environments (G)	Exd (flameproof) IIB Zone 1	373kW (500HP)	143T – 449T (90M-280M)	1,000 volts	IIA & IIB	T3, T4 & T5	-20 to +40 (-4 to 104) +65 (149) Max
	ExnA (non-sparking) Zone 2	335kW (450HP)	180T – 4412T (112M-280H)	2,300 volts	IIA, IIB & IIC	T2, T3 & T4	-20 to +40 (-4 to 104) -30 (-22) Min
Explosive dust Environments (D)	Extb (dust ignition proof) IIC Zone 21	373kW (500HP)	143T – 449T (90M-280M)	1,000 volts	IIIA, IIIB & IIIC	T3, T4 & T5	-20 to +40 (-4 to 104) +65 (149) Max
	Baldor•Reliance® motors marked “Extb” for Zone 21 may be additionally labeled “suitable for Zone 22 (EPL Dc)”						
Dual protection Gas and dust Environments (G/D)	Baldor•Reliance ATEX motors can be dual labeled for “Exd” (Flameproof) and “Extb” (Dust Ignition Proof), Zones 1, 21 to meet the most hazardous explosive atmosphere applications.						
Increased safety	“Exd” motors 180-449T, 112M-280H can be supplied with an increased safety conduit box separately labeled “Exe”						

Baldor•Reliance takes pride in tailoring our custom motors to fit our customer’s specific requirements. For a full range of available options, pricing and availability contact your regional support office.

ABB IEC motors

ABB IEC motors are available in a wider range of explosion proof configurations and in larger power ratings. Information is available at www.abb.com/motors&generators or you may contact your regional support office for assistance.

Caution

Motors misapplied in hazardous environments can cause a fire or explosion resulting in destruction of property, serious injury or death. Only the end user or a qualified underwriter is to identify and select the proper class, group, division, and temperature code motor to meet the requirements of each installation. Baldor, A Member of the ABB Group, personnel, agents and distributors can advise what listings and approvals Baldor, A Member of the ABB Group, motors carry, but cannot evaluate nor recommend what motors may be suitable for use in hazardous environments.

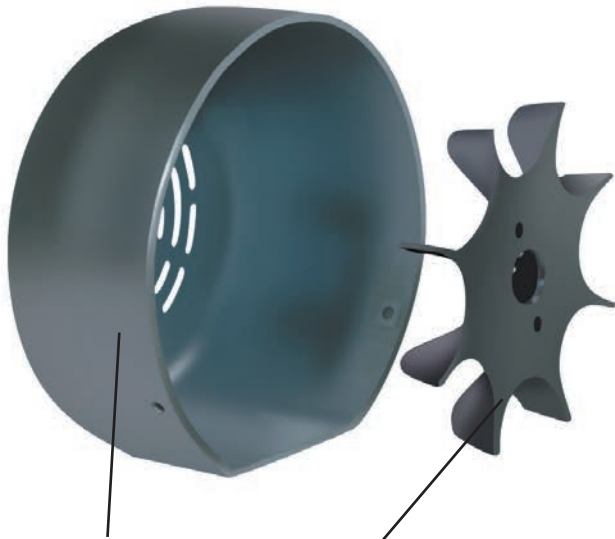
NEMA explosion proof AC and DC motors

Motor performance data and dimensions

Explosion proof motors –

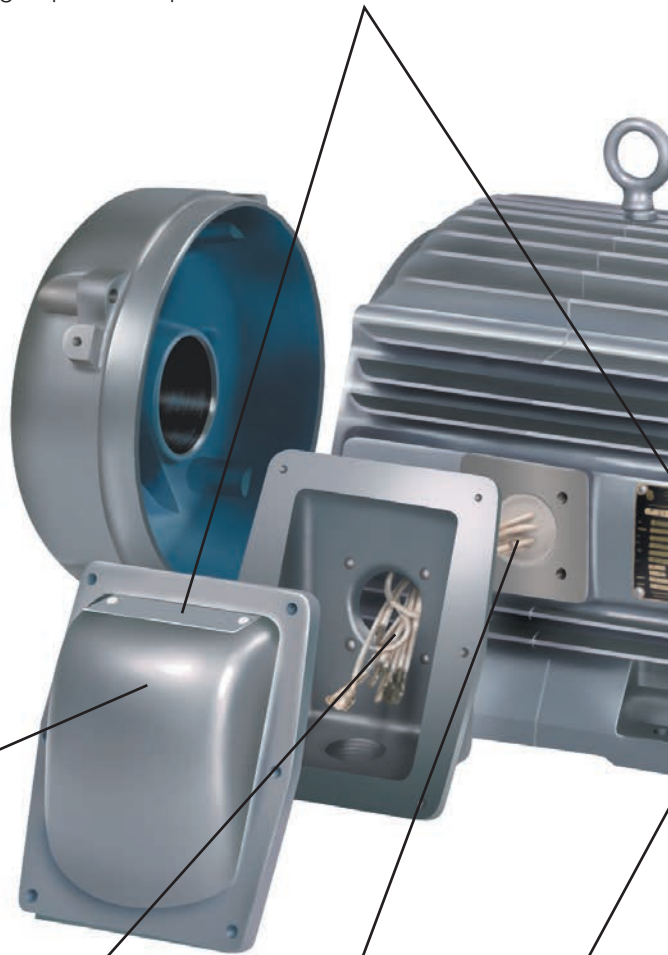
Reliability and performance in Division 1 applications

Brass and stainless name plates clearly indicate listing agency approval logos and complete class, group and temp code information.



Fan and fan cover are designed for maximum cooling and quieter operation.

UL listed explosion proof conduit box
Oversized for connection convenience
Threaded conduit entrance

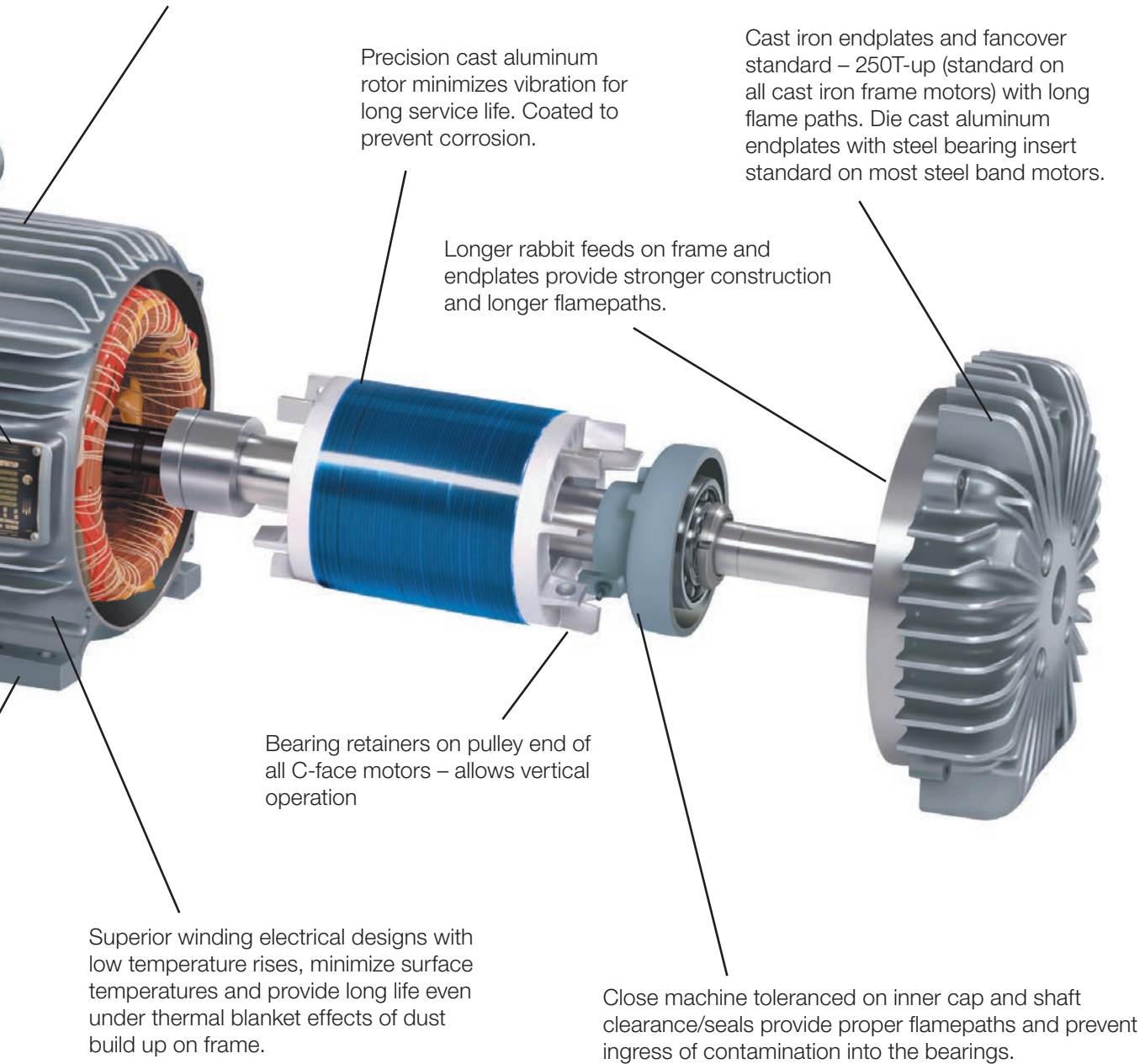


Potted lead hole outlet,
seals frame from
conduit box

When thermostats are provide as a condition of certification, their leads will be brought out to the conduit box. It is the installer's responsibility to make sure that these devices are properly connected to a suitable switching device.

Dual mounting holes
on 143T – 445T
frames for eaiser
change out

Heavy duty frame construction is designed to contain maximum internal explosion pressure and maintain external surface temperatures below the minimum ignition temperature of the environment.



NEMA explosion proof AC and DC motors

Motor performance data and dimensions

Single phase and three phase Explosion proof motors with rigid base

These motors are ideal for a wide variety of applications where hazardous fumes or dust may be present. Available from stock in 0.18 kW (1/4 hp) though 224 kW (300 hp), in NEMA frames 48 through 449T. U.L. and CSA approved for Division 1, Class I, Group D; Class I, Group D, Class II, Group F & G; Class I, Group C & D, Class II, Group F & G. 1.0 service factor.



Performance data, single phase, foot mounted

kW	Hp	RPM	NEMA frame	Catalog number	XP cls & group	XP temp code	Amps @ high V		Full load torque NM(lb-ft)	Efficiency %		Power factor %			Voltage	"C" dim. mm (in)	Conn. diag. number	Notes	
							Full load	Locked rotor		1/2	3/4	Full load	1/2 PF	3/4 PF					Full load PF
0.18	0.25	1725	48	L4003A	②	T3C	2.5	11	1.06 (0.781)	42.2	50	55	45	53	57	115/208-230	326.39 (12.85)	CD0885	-
			56	L5000A	②	T3C	2.1	10.8	1.03 (0.762)	50	60.6	62	47	54	64	115/208-230	335.78 (13.22)	CD0565	-
			56	L5000A-C	⑤	T3C	2.1	10.8	1.03 (0.762)	50	60.6	62	47	54	64	115/208-230	335.78 (13.22)	CD0565	-
0.25	0.33	1725	3450	L4005A	②	T3C	3	14	0.70 (0.52)	46.9	53.8	55	47	56	68	115/230	326.39 (12.85)	CD0565	-
			48	L4006A	②	T3C	3	13	1.36 (1)	41	52	60	41	52	60	115/208-230	326.39 (12.85)	CD0565	-
			56	L5001A	②	T3C	3	13	1.36 (1)	41	52	60	41	52	60	115/208-230	335.78 (13.22)	CD0565	-
0.37	0.5	1725	1140	L5002A	②	T4	3.4	13	2.04 (1.5)	41.5	50.1	54	42	50	56	115/230	363.22 (14.3)	CD0008	-
			3450	L5003A	②	T3C	3.7	18.5	1.02 (0.75)	49.7	57.4	57	49	61	71	115/230	335.78 (13.22)	CD0565	-
			48	L4009A	②	T3C	3.7	19.41	2.04 (1.5)	55.2	62	64	48	59	66	115/208-230	351.79 (13.85)	CD0565	-
0.56	0.75	1725	56	L5004A	②	T3C	3.7	19.41	2.04 (1.5)	55.2	62	64	48	59	66	115/208-230	361.18 (14.22)	CD0565	-
			56	L5004A-C	⑤	T3C	3.7	19.41	2.04 (1.5)	55.2	62	64	48	59	66	115/208-230	361.18 (14.22)	CD0565	-
			1140	L5005A	②	T4	4	19	3.06 (2.25)	57	62.3	59	41	49	63	115/230	385.31 (15.17)	CD0008	-
0.75	1	1725	3450	L5006A	②	T4	4.9	28.3	1.53 (1.13)	50	58	62	60	70	75	115/230	363.22 (14.3)	CD0008	-
			56	L5007A	②	T4	5.3	34	3.06 (2.25)	58.2	65.4	66	45	56	68	115/230	385.31 (15.17)	CD0008	-
			56	L5007A-C	⑤	T4	5.3	34	3.06 (2.25)	58.2	65.4	66	45	56	68	115/230	385.31 (15.17)	CD0008	-
1.12	1.5	1725	1140	L5022	①	T2C	5.7	24.3	4.66 (3.43)	57.6	61.8	59.5	48	59	74	115/208-230	407.41 (16.04)	CD0001	-
			3450	L5009A	②	T4	6	37.9	2.04 (1.51)	63.2	68.3	66	66	76	81	115/230	385.31 (15.17)	CD0008	-
			56	L5023A	②	T2C	6.5	37	4.08 (3)	63	66.8	67	53	65	73	115/230	385.31 (15.17)	CD0008	-
1.5	2	1725	143T	L5023T	①	T2C	6.4	39	4.08 (3)	67.6	70	67	53	67	73	115/208-230	386.84 (15.23)	CD0001	-
			1140	L5026	②	T3C	7	34	6.25 (4.6)	62.6	68.5	67	48	59	67	115/208-230	16.92	CD0001	-
			3450	L5030T	②	T3C	7.5	42	3.12 (2.3)	65.3	68.4	70	64	73	82	115/208-230	386.84 (15.23)	CD0001	-
2.2	3	1725	1725	L5013	②	T3C	9.5	68	6.12 (4.5)	66.9	72.6	70	50	61	70	115/230	429.76 (16.92)	CD0001	-
			3450	L5031T	②	T3C	11.5	78	4.08 (3)	64.2	70.5	74	65	75	82	115/208-230	409.19 (16.11)	CD0001	-
			1725	L5027T	①	T2C	11	61	8.16 (6)	72.3	74.3	75	58	69	81	115/230	442.46 (17.42)	CD0001	-
4	5	1725	184T	L5028T	①	T2C	14.5	86	6.25 (4.5)	71	73.5	76	83	88	87	115/230	442.46 (17.42)	CD0001	-
			1725	L5018	②	T3C	15	90	12.24 (9)	75	79.1	79	61	72	77	115/230	495.04 (19.49)	CD0076	-
4	5	1725	215	L5020	①	T2C	21	139	20.53 (15.1)	84.1	85.7	84	87	91	92	230	505.46 (19.9)	CD0017A02	-

① Class I, Group D

② Class I, Group D, Class II, Group F & G

⑤ Class I, Group C & D, Class II, Group F & G

Caution: These explosion proof motors are not suitable for use with adjustable speed drives. Inverter duty explosion proof motors must be used, see page 27.

NEMA explosion proof AC and DC motors

Motor performance data and dimensions

Three phase, foot mounted (continued)

kW	Hp	RPM	NEMA frame	Catalog number	XP cls & group	XP temp code	Amps @ high V			Full load torque NM(lb-ft)	Efficiency %			Power factor %			Voltage	"C" dim. mm (in)	Conn. diag. number	Notes
							Full load	Locked rotor			1/2	3/4	Full load	1/2 PF	3/4 PF	Full load PF				
0.18	0.25	1725	48	M6002A	②	T3C	0.65	3.45	1.02 (0.75)	55.5	62.5	63	33	43	56	208-230/460	326.39 (12.85)	CD0007	-	
0.25	0.33	1725	56	M7002A	②	T3C	0.8	4.4	1.36 (1)	59	65	67	40	50	57	208-230/460	335.78 (13.22)	CD0007	-	
0.25	0.33	1140	56	M7003A	②	T4	0.8	4.1	2.033 (1.5)	58	64	70	39	48	57	208-230/460	364.74 (14.36)	CD0007	-	
0.37	0.5	3450	56	M7005A	②	T3C	1.1	6	1.02 (0.75)	56.3	64	68	44	56	63	208-230/460	335.78 (13.22)	CD0007	-	
0.37	0.5	1725	48	M6007A	②	T3C	1	6.7	(2.03 (1.5)	65	71.7	74	39	51	63	208-230/460	326.39 (12.85)	CD0007	-	
0.37	0.5	1725	56	M7006A	②	T3C	1	6.7	2.03 (1.5)	65	71.1	74	39	51	63	208-230/460	335.78 (13.22)	CD0007	-	
0.37	0.5	1140	56	M7007A	②	T4	1.2	5.8	3.06 (2.25)	57	64	70	37	47	55	208-230/460	364.74 (14.36)	CD0007	-	
0.56	0.75	3450	56	M7009A	②	T3C	1.3	7.6	1.62 (1.2)	70.6	73.6	75	58	67	73	208-230/460	335.78 (13.22)	CD0007	-	
0.56	0.75	1725	56	M7010A	②	T3C	1.5	10	3.06 (2.25)	69.7	74.7	73	42	55	58	208-230/460	361.18 (14.22)	CD0007	-	
0.56	0.75	1140	56	M7031A	②	T4	1.4	8	4.62 (3.4)	71.1	75	77	44	55	63	208-230/460	386.84 (15.23)	CD0007	-	
0.56	0.75	1140	143T	M7031TA	②	T4	1.4	8	4.62 (3.4)	71.1	75	77	44	55	63	208-230/460	386.84 (15.23)	CD0007	-	
0.75	1	3450	56	M7013	②	T3C	1.8	11	2.033 (1.5)	72.1	76.8	75.5	53	68	71	208-230/460	335.78 (13.22)	CD0005	-	
0.75	1	1740	56	M7014	②	T3C	1.8	12.4	4.06 (2.99)	68	73.6	75.5	45	57	67	208-230/460	363.22 (14.3)	CD0005	19	
0.75	1	1760	143T	EM7014T	②	T3C	1.5	12.1	4.03 (2.97)	81.9	84.8	85.5	49	62	71	230/460	386.84 (15.23)	CD0005	19	
0.75	1	1760	143T*	EM7114T	②	T3C	1.5	12.1	4.03 (2.97)	81.9	84.8	85.5	49	62	71	230/460	413.51 (16.28)	CD0005	19	
0.75	1	1760	143T*	EM7114T-C	⑤	T4	1.5	12.1	4.03 (2.97)	81.9	84.8	85.5	49	62	70	230/460	413.51 (16.28)	CD0005	19	
0.75	1	1750	182	M7015	②	T3C	1.6	13.2	4.06 (2.99)	78	81.4	82.5	50	63	73	230/460	386.84 (15.23)	CD0005	19	
0.75	1	1155	56	M7032	①	T2C	1.9	10.3	6.12 (4.5)	73.9	77.8	78.5	41	54	63	230/460	385.31 (15.17)	CD0005	-	
0.75	1	1155	145T	EM7032T	②	T3C	1.8	10.8	6.13 (4.51)	79.4	82.3	82.5	43	55	64	230/460	443.99 (17.48)	CD0005	19	
1.12	1.5	3500	143T	EM7018T	②	T3C	1.9	17.9	3.02 (2.22)	82	84.6	84	67	79	85	230/460	364.74 (14.36)	CD0005	19	
1.12	1.5	1735	56	M7034	②	T3C	2.3	17.5	6.101 (4.5)	77.3	80.9	81.5	51	65	74	208-230/460	363.22 (14.3)	CD0005	19	
1.12	1.5	18760	145T	EM7034T	②	T3C	2.2	18.3	6.08 (4.47)	84.5	86.9	86.5	51	65	73	230/460	408.94 (16.1)	CD0005	19	
1.12	1.5	1765	145T*	EM7134T	②	T3C	2.3	20.7	6.17 (4.54)	83.8	86.4	86.5	49	62	71	208-230/460	413.51 (16.28)	CD0005	-	
1.12	1.5	1765	145T*	EM7134T-C	⑤	T4	2.3	20.7	6.17 (4.54)	83.8	86.4	86.5	49	62	76	208-230/460	413.51 (16.28)	CD0005	-	
1.12	1.5	1755	184	M7019	②	T3C	2.4	19	6.02 (4.43)	79.4	83	84	48	62	70	230/460	386.84 (15.23)	CD0005	19	
1.12	1.5	1170	182T	EM7020T	②	T3C	2.6	14.7	9.219 (6.8)	86	88.3	87.5	42	53	61	230/460	442.46 (17.42)	CD0005	19	
1.12	1.5	1170	182T*	EM7120T	②	T3C	2.6	14.7	9.219 (6.8)	86	88.3	87.5	42	53	0	230/460	463.29 (18.24)	CD0005	19	
1.5	2	3490	143T	EM7071T	②	T3C	2.5	25.9	4.05 (2.98)	83.5	85.9	85.5	75	84	88	230/460	408.94 (16.1)	CD0005	19	
1.5	2	1735	56	M7037	②	T3C	3	24.8	8.28 (6.05)	79.2	82.2	82.5	53	67	76	208-230/460	385.31 (15.17)	CD0005	-	
1.5	2	1755	145T	EM7037T	②	T3C	2.9	24.3	8.09 (5.95)	84	86.5	86.5	51	64	73	230/460	408.94 (16.1)	CD0005	19	
1.5	2	1750	145T*	EM7137T	②	T3C	2.9	25	8.09 (5.95)	85.1	87.1	86.5	53	66	75	230/460	413.51 (16.28)	CD0005	19	
1.5	2	1750	145T*	EM7137T-C	⑤	T3C	2.9	25	8.09 (5.95)	85.1	87.1	86.5	53	66	75	208-230/460	413.51 (16.28)	CD0005	-	
1.5	2	1750	184	M7023	②	T3C	3.1	23.8	8.09 (5.96)	81	83.6	84	50	63	72	230/460	386.84 (15.23)	CD0005	19	
1.5	2	1170	184T	EM7041T	②	T3C	3.5	20.9	12.24 (9)	86.7	88.6	88.5	41	52	61	230/460	480.56 (18.92)	CD0005	19	
2.2	3	3450	145T	EM7075T	①	T3C	3.6	33	6.12 (4.5)	87.9	88.2	86.5	81	88	92	230/460	443.99 (17.48)	CD0005	-	
2.2	3	3450	182T	EM7026T	②	T3C	3.7	33.3	6.39 (4.7)	86.2	87.3	86.5	82	88	91	230/460	407.67 (16.05)	CD0005	19	
2.2	3	3460	182T*	EM7126T	②	T3C	3.8	30.9	6.43(4.73)	86.5	87.4	86.5	76	84	87	230/460	446.02 (17.56)	CD0005	19	
2.2	3	3460	184	M7026	②	T3C	3.7	30.5	6.39 (4.7)	84.9	86.2	85.5	80	88	91	230/460	394.97 (15.55)	CD0005	19	
2.2	3	1760	182T	EM7042T	②	T3C	4.2	30.8	9.65(7.1)	86	88.5	89.5	49	62	75	230/460	480.56 (18.92)	CD0005	19	
2.2	3	1755	182T*	EM7142T	②	T3C	4.1	29.8	12.32 (9.06)	88.9	90.1	89.5	58	70	77	230/460	446.02 (17.56)	CD0005	19	
2.2	3	1760	182T*	EM7142T-C	⑤	T4	4	31.69	12.14 (8.93)	89	90	89.5	62	73	80	230/460	446.02 (17.56)	CD0005	19	
2.2	3	1770	213	M7027	②	T3C	4.1	34.5	12.06 (8.87)	85.4	87.7	87.5	58	71	77	230/460	417.57 (16.44)	CD0005	19	
2.2	3	1160	213T	EM7036T	②	T3C	4.6	34.4	18.303 (13.5)	87.7	89.4	89.5	49	61	68	230/460	516.12 (20.32)	CD0005	19	

* Cast Iron Frame

① Class I, Group D

② Class I, Group D, Class II, Group F & G

⑤ Class I, Group C & D, Class II, Group F & G

19 60/50 Hertz motor. 60 Hertz data shown,

Contact your regional support office for 50 Hertz data.

Caution: These explosion proof motors are not suitable for use with adjustable speed drives. Inverter duty explosion proof motors must be used, see page 27.

NEMA explosion proof AC and DC motors

Motor performance data and dimensions

Three phase, foot mounted (continued)

kW	Hp	RPM	NEMA frame	Catalog number	XP cls & group	XP temp code	Amps @ high V		Full load torque NM(lb-ft)	Efficiency %			Power factor %			Voltage	"C" dim. mm (in)	Conn. diag. number	Notes
							Full load	Locked rotor		1/2	3/4	Full load	1/2 PF	3/4 PF	Full load PF				
4	5	3450	184T	EM7072T	②	T3C	5.9	57.2	10.43 (7.67)	88.9	89.4	88.5	81	88	91	230/460	460.24 (18.12)	CD0005	19
4	5	3475	184T*	EM7172T	②	T3C	6.3	51.7	10.16 (7.5)	87.8	89	88.5	64	77	84	230/460	446.02 (17.56)	CD0005	19
4	5	1750	184T	EM7044T	②	T3C	6.7	49.1	20.26 (14.9)	89.7	90.3	89.5	60	72	78	230/460	480.56 (18.92)	CD0005	19
4	5	1750	184T*	EM7144T	②	T3C	6	45.5	20.4 (15)	89.6	89.6	89.5	62	74	79	230/460	446.02 (17.56)	CD0005	19
4	5	1750	184T*	EM7144T-C	⑤	T4	6	45.5	20.4 (15)	89.6	89.6	89.5	62	74	79	230/460	446.02 (17.56)	CD0005	19
4	5	1760	215	M7030	②	T3C	6.6	49.6	20.12 (14.8)	62	74	87.5	62	74	79	230/460	458.72 (18.06)	CD0005	19
4	5	1160	215T	EM7040T	②	T3C	7.3	51.6	30.87 (22.7)	89.8	90.4	89.5	55	66	72	230/460	566.92 (22.32)	CD0005	19
5.6	7.5	3450	184T	EM7073T	①	T2C	8.4	91	15.50 (11.4)	90.6	90.7	89.5	85	90	93	230/460	480.56 (18.92)	CD0005	–
5.6	7.5	3525	213T	EM7045T	②	T3C	8.6	63.1	15.04 (11.1)	89.1	90.2	89.5	80	87	90	230/460	497.07 (19.57)	CD0005	19
5.6	7.5	3525	213T*	EM7145T	②	T3C	8.6	75	15.23 (11.2)	90	91.4	90.2	79	87	90	230/460	505.46 (19.9)	CD0005	19
5.6	7.5	1770	213T	EM7047T	②	T3C	9.4	69.3	24.20 (17.8)	90.8	91.9	91.7	56	70	81	230/460	497.07 (19.57)	CD0005	19
5.6	7.5	1770	213T*	EM7147T	②	T3C	9.5	68	30.05 (22.1)	91.6	92.3	91.7	65	76	81	230/460	505.46 (19.9)	CD0005	19
5.6	7.5	1770	213T*	EM7147T-C	⑤	T4	9.5	68	30.05 (22.1)	91.6	92.3	91.7	65	76	81	230/460	505.71 (19.91)	CD0005	19
5.6	7.5	1180	254T*	EM7048T	②	T3C	10.7	67	44.06 (32.4)	89.3	90.7	91	53	64	70	230/460	647.70 (25.5)	CD0005	19
7.5	10	3500	215T	EM7074T	①	T2C	11.2	117	20.4 (15)	90.8	92.3	91.7	84	90	92	230/460	528.82 (20.82)	CD0005	–
7.5	10	3500	215T*	EM7174T	②	T3C	11.1	88.5	20.201 (14.9)	93	93.2	92.4	79	88	90	230/460	490.47 (19.31)	CD0005	–
7.5	10	1770	215T	EM7070T	②	T3C	12	103	40.12 (29.5)	92.1	92.4	91.7	66	79	85	230/460	566.92 (22.32)	CD0005	19
7.5	10	1760	215T*	EM7170T	②	T3C	12.2	81	40.52 (29.8)	92.5	92.9	91.7	71	80	83	230/460	505.46 (19.9)	CD0005	19
7.5	10	1760	215T*	EM7170T-C	⑤	T3C	12.2	81	40.52 (29.8)	92.5	92.9	91.7	71	80	83	230/460	505.71 (19.91)	CD0005	19
7.5	10	1180	256T*	EM7065T	②	T3C	14.6	95.3	60.38 (44.4)	89.8	91.4	91	52	63	70	230/460	647.70 (25.5)	CD0005	19
22.4	15	3520	254T*	EM7053T	②	T3C	17.5	110	30.05 (22.1)	91	91.6	91	77	85	87	230/460	647.70 (25.5)	CD0180	19
22.4	15	1765	254T*	EM7054T	②	T3C	18	125	61.20 (45)	92.1	93	92.4	71	81	84	230/460	647.70 (25.5)	CD0005	19
22.4	15	1765	254T*	EM7054T-C	⑤	T4	18	125	61.20 (45)	92.1	93	92.4	71	81	84	230/460	647.70 (25.5)	CD0005	19
22.4	15	1180	284T*	EM7057T	②	T3C	20	122	89.35 (65.7)	90.6	92	91.7	58	69	75	230/460	726.69 (28.61)	CD0180	19
15	20	3520	256T*	EM7059T	②	T3C	23	161	40.25 (29.6)	92.2	92.4	91	78	86	89	230/460	647.70 (25.5)	CD0005	19
15	20	1765	256T*	EM7056T	②	T3C	24	166	73.57 (54.1)	92.5	93.2	93	72	81	84	230/460	647.70 (25.5)	CD0180	19
15	20	1765	256T*	EM7056T-C	⑤	T4	24	166	73.57 (54.1)	92.5	93.2	93	72	81	84	230/460	647.70 (25.5)	CD0180	19
15	20	1180	286T*	EM7079T	②	T3C	27	165	121.58 (89.4)	91.1	91.9	91.7	60	71	77	230/460	726.69 (28.61)	CD0180	19
18.7	25	3520	284TS*	EM7063T	②	T3C	28.5	177	50.86 (37.4)	91.5	91.7	91.7	80	87	89	230/460	691.89 (27.24)	CD0180	19
18.7	25	1780	284T*	EM7058T	②	T3C	30.5	179	96.83 (71.2)	91.5	92.2	93.6	69	79	82	230/460	726.69 (28.61)	CD0005	19
18.7	25	1780	284T*	EM7058T-C	⑤	T4	30.5	179	96.83 (71.2)	91.5	92.2	93.6	69	79	82	230/460	726.69 (28.61)	CD0005	19
18.7	25	1180	324T*	EM7082T	②	T3C	32	198	150.49 (111)	92.8	93.5	93	65	75	79	230/460	812.80 (32)	CD0180	19
22.4	30	3520	286TS*	EM7083T	②	T3C	33	194	60.65 (44.6)	92.9	93.3	91.7	85	90	90	230/460	691.89 (27.24)	CD0180	19
22.4	30	1770	286T*	EM7060T	②	T3C	36	235	121.17 (89.1)	93.7	94.3	93.6	66	75	83	230/460	726.69 (28.61)	CD0005	19
22.4	30	1780	286T*	EM7060T-C	⑤	T4	37	216	122.4 (90)	93.5	94.1	93.6	67	78	82	230/460	726.69 (28.61)	CD0005	19
22.4	30	1180	326T*	EM7080T	②	T3C	39	243	180.88 (133)	92.5	93.2	93	62	73	78	230/460	812.80 (32)	CD0005	19
29	40	3530	324TS*	EM7067T	②	T3C	46	299	72.48 (53.3)	88.1	89.8	92.4	78	85	88	230/460	774.70 (30.5)	CD0180	19
29	40	1775	324T*	EM7062T	②	T3C	48	334	255.68 (118)	93.6	94.4	94.1	67	77	82	230/460	812.80 (32)	CD0180	19
29	40	1775	324T*	EM7062T-C	⑤	T4	48	334	255.68 (118)	93.6	94.4	94.1	67	77	82	230/460	815.84 (32.12)	CD0180	19
20	40	1180	364T*	EM7084T	②	T3C	47.2	275	242.08 (178)	94.4	94.5	94.1	74	81.5	84.3	230/460	849.37 (33.44)	416820-002	19
37	50	3540	326TS*	EM7081T	②	T3C	56	408	101.18 (74.4)	93.8	94.2	93	82	88	90	230/460	774.70 (30.5)	CD0180	19
37	50	1775	326T*	EM7064T	②	T3C	57	392	202.64 (149)	94.4	94.9	94.5	73	82	87	230/460	812.80 (32)	CD0180	19
37	50	1775	326T*	EM7064T-C	⑤	T4	57	392	202.64 (149)	94.4	94.9	94.5	73	82	87	230/460	815.84 (32.12)	CD0180	19
37	50	1180	365T*	EM7085T	②	T4	60.1	358	301.92 (222)	94.4	94.6	94.1	70.9	79.4	82.7	230/460	849.37 (33.44)	416820-002	19

* Cast Iron Frame

① Class I, Group D

② Class I, Group D, Class II, Group F & G

⑤ Class I, Group C & D, Class II, Group F & G

19 60/50 Hertz motor. 60 Hertz data shown,

Contact your regional support office for 50 Hertz data.

35 Design A, Exceeds Design B in rush limits

Caution: These explosion proof motors are not suitable for use with adjustable speed drives. Inverter duty explosion proof motors must be used, see page 27.

NEMA explosion proof AC and DC motors

Motor performance data and dimensions

Three phase, foot mounted (continued)

kW	Hp	RPM	NEMA frame	Catalog number	XP cls & group	XP temp code	Amps @ high V		Full load torque NM(lb-ft)	Efficiency %			Power factor %			Voltage	"C" dim. mm (in)	Conn. diag. number	Notes
							Full load	Locked rotor		1/2	3/4	Full load	1/2 PF	3/4 PF	Full load PF				
44	60	1780	364T*	EM7066T	②	T4	68	430	240.72 (177)	95.2	95.3	95	78.7	85	87	230/460	849.37 (33.44)	416820-002	19
44	60	1780	364T*	EM7066T-C	⑤	T4	68	430	240.72 (177)	95.2	95.3	95	78.7	85	87	230/460	849.37 (33.44)	416820-002	19
44	60	1185	404T*	EM7086T	②	T4	67.3	434	361.76 (266)	94.6	94.9	94.5	79.3	86	88.3	230/460	973.07 (38.31)	416820-002	19
56	75	1780	365T*	EM7068T	⑤	T4	84.1	510	300.56 (221)	96.1	95.9	95.4	78.2	85.1	87.5	230/460	849.37 (33.44)	416820-002	19
56	75	1185	405T*	EM7087T	②	T4	84.2	537	452.88 (333)	94.8	95	94.5	79.3	85.9	88.3	230/460	973.07 (38.31)	416820-002	19
75	100	1780	405T*	EM7090T	⑤	T4	112	708	401.2 (295)	95.5	95.7	95.4	77.9	84.9	87.5	230/460	973.07 (38.31)	416820-002	19
93	125	1780	444T*	EM74124T-4	⑤	T4	139	907	500.48 (368)	94.5	95.3	95.4	81.7	87.4	88.5	460	1113.34 (44.62)	416820-036	19
112	150	1785	447T*	EM74154T-4	⑤	T4	164	1075	599.76 (441)	95.6	96	95.8	86	89.1	89.2	460	1214.88 (47.83)	416820-036	19
149	200	1785	449T*	EM74204T-4	⑤	T4	216	1387	799.68 (588)	96.1	96.4	96.2	88.9	90.4	89.9	460	1341.88 (52.83)	416820-036	19
187	250	1785	447T*	M74254T-4	⑤	T4	281	1783	1003.68 (738)	94.6	95.2	95	82.2	86.9	87.6	460	1214.88 (47.83)	416820-036	19
224	300	1785	449T*	M74304T-4	⑤	T4	328	2191	1200.88 (883)	95.3	95.9	95.8	86.5	89.4	89.3	460	1341.88 (52.83)	416820-036	19

Three phase, 575V, foot mounted

kW	Hp	RPM	NEMA frame	Catalog number	XP cls & group	XP temp code	Amps @ high V		Full load torque NM(lb-ft)	Efficiency %			Power factor %			Voltage	"C" dim. mm (in)	Conn. diag. number	Notes
							Full load	Locked rotor		1/2	3/4	Full load	1/2 PF	3/4 PF	Full load PF				
0.37	0.5	1725	56	M7006-5	②	T3C	0.9	5.9	2.033 (1.5)	59	66.7	74	41	52	60	575	363.22 (14.3)	CD0006	-
0.56	0.75	1725	56	M7010-5	②	T3C	1.2	6.7	3.12 (2.3)	64	70.4	76	46	58	69	575	363.22 (14.3)	CD0006	-
0.75	1	3450	56	M7013-5	②	T3C	1.2	8.8	2.033 (1.5)	72.1	76.8	75.5	53	68	76	575	335.78 (13.22)	CD0006	-
0.75	1	1740	56	M7014-5	②	T3C	1.5	9.57	4.06 (2.99)	67.4	72.9	75.5	45	57	67	575	363.22 (14.3)	CD0006	-
0.75	1	1760	143T	EM7014T-5	②	T3C	1.2	9.66	4.03 (2.97)	81.9	84.8	85.5	49	62	71	575	364.74 (14.36)	CD0006	-
1.12	1.5	3500	143T	EM7018T-5	②	T3C	1.5	14.5	3.01 (2.22)	82.1	84.3	84	66	78	85	575	364.74 (14.36)	CD0006	-
1.12	1.5	1760	145T	EM7034T-5	②	T3C	1.8	14.6	6.07 (4.47)	84.5	87	86.5	51	65	73	575	386.84 (15.23)	CD0006	-
1.5	2	3490	145T	EM7071T-5	②	T3C	2	21	4.05 (2.98)	83.6	85.5	85.5	74	84	88	575	386.84 (15.23)	CD0006	-
1.5	2	1755	145T	EM7037T-5	②	T3C	2.4	19.6	8.09 (5.95)	83.8	86.4	86.5	50	64	73	575	408.94 (16.1)	CD0006	-
2.2	3	1760	182T	EM7042T-5	②	T3C	3.3	25.9	12.07 (8.88)	87.7	89.5	89.5	54	67	75	575	442.46 (17.42)	CD0006	-
4	5	3450	184T	EM7072T-5	②	T3C	4.7	45.7	10.39 (7.64)	88.4	89.1	88.5	81	88	91	575	60.24 (18.12)	CD0006	35
4	5	1750	184T	EM7044T-5	②	T3C	5.3	39.3	12.26 (14.9)	89.6	90.5	89.5	60	72	78	575	60.24 (18.12)	CD0006	-
5.6	7.5	1770	213T	EM7047T-5	②	T3C	7.6	58.5	30.19 (22.2)	91.1	92.3	91.7	61	74	81	575	516.12 (20.32)	CD0006	35
7.5	10	1760	215T*	EM7170T-5	②	T3C	9.8	66.3	40.52 (29.8)	92.1	92.7	91.7	70	79	83	575	505.46 (19.9)	CD0006	-
11	15	1765	254T*	EM7054T-5	②	T3C	14.8	99	60.52 (44.5)	91.3	92.5	92.4	67	78	82	575	647.70 (25.5)	CD0006	-
15	20	1765	256T*	EM7056T-5	②	T3C	19.2	140	80.24 (59)	92.8	93.2	93	72	78	84	575	647.70 (25.5)	CD0006	-
18.7	25	1780	284T*	EM7058T-5	②	T3C	24.5	150	100.64 (74)	91	92.7	93.6	70	79	82	575	726.69 (28.61)	CD0006	-
22.4	30	1770	286T*	EM7060T-5	②	T3C	29	177	121.31 (89.2)	93.9	94.4	93.6	69	77	83	575	726.69 (28.61)	CD0006	-
29	40	1775	324T*	EM7062T-5	②	T3C	39	267	160.48 (118)	93.6	94.3	94.1	67	77	82	575	812.80 (32)	CD0006	-

* Cast Iron Frame

① Class I, Group D

② Class I, Group D, Class II, Group F & G

⑤ Class I, Group C & D, Class II, Group F & G

19 60/50 Hertz motor. 60 Hertz data shown.

Contact your regional support office for 50 Hertz data.

35 Design A, Exceeds Design B in rush limits

Caution: These explosion proof motors are not suitable for use with adjustable speed drives. Inverter duty explosion proof motors must be used, see page 27.

NEMA explosion proof AC and DC motors

Motor performance data and dimensions

Single and three phase Explosion proof C-face motors

Baldor•Reliance® motors for use on pumps, blowers and valves that require a NEMA C-face mounting configuration. Installed where hazardous fumes or dust may be present. Positively locked drive end bearing. 1.0 service factor. Available from stock in single and three phase, 0.25 kW (1/3 hp) through 37 kW (50 hp), in NEMA frames 56C through 326TC. UL and CSA approved for Division 1, Class I, Group D; Class I, Group D, Class II, Group F & G.



Single phase, C-face, foot mounted

kW	Hp	RPM	NEMA frame	Catalog number	XP cls & group	XP temp code	Amps @ high V		Full load torque NM(lb-ft)	Efficiency %			Power factor %			Voltage	"C" dim. mm (in)	Conn. diag. number	Notes
							Full load	Locked rotor		1/2	3/4	Full load	1/2 PF	3/4 PF	Full load PF				
0.25	0.33	1725	56C	CL5001A	②	T3C	6/3.2-3	13	1.36 (1)	41	52	60	41	52	60	115/208-230	335.78 (13.22)	CD0565	-
0.37	0.5	3450	56C	CL5003A	②	T3C	7.4/3.7	18.5	1.02 (0.75)	49.7	57.4	57	49	61	71	115/230	335.78 (13.22)	CD0565	-
0.37	0.5	1725	56C	CL5004A	②	T3C	7.4/3.9-3.7	19.41	2.03 (1.5)	55.2	62	64	48	59	66	115/208-230	361.18 (14.22)	CD0565	-
0.56	0.75	1725	56C	CL5007A	②	T4	10.6/5.3	34	3.06 (2.25)	58.2	65.4	66	45	56	68	115/230	385.31 (15.17)	CD0008	-
0.75	1	3450	56C	CL5009A	②	T4	6-Dec	37.9	2.03 (1.51)	63.2	68.3	66	66	76	81	115/230	385.31 (15.17)	CD0008	-
0.75	1	1725	56C	CL5023A	②	T2C	13/6.5	74	4.06 (3)	63	66.8	67	53	65	73	115/230	385.31 (15.17)	CD0008	-
1.12	1.5	3450	143TC	CL5030T	②	T3C	15/7.9-7.5	42	3.11 (2.3)	65.3	68.4	70	64	73	82	115/208-230	386.84 (15.23)	CD0001	-
1.12	1.5	1725	184C	CL5013	②	T3C	19/9.5	68	6.10 (4.5)	66.9	72.6	70	50	61	70	115/230	430.02 (16.93)	CD0001	-
1.5	2	3450	143TC	CL5031T	②	T3C	23/12-11.5	78	4.06 (3)	64.2	70.5	74	65	75	82	115/208-230	408.94 (16.1)	CD0001	-
1.5	2	1725	182TC	CL5027T	①	T2C	22/11	61	8.13 (6)	72.3	74.3	75	58	69	81	115/230	479.04 (18.86)	CD0001	-
2.2	3	3450	184TC	CL5028T	①	T2C	29/14.5	86	6.10 (4.5)	71	73.5	76	83	88	87	115/230	479.04 (18.86)	CD0001	-
2.2	3	1725	215C	CL5018	①	T2C	30/15	90	12.20 (9)	75	79.1	79	61	72	77	115/230	496.82 (19.56)	CD0076	-
4	5	1725	215C	CL5020	①	T2C	21	139	20.33 (15.1)	84.1	85.7	84	87	91	92	230	525.52 (20.69)	CD0017A02	-

① Class I, Group D

② Class I, Group D, Class II, Group F & G

Caution: These explosion proof motors are not suitable for use with adjustable speed drives. Inverter duty explosion proof motors must be used, see page 27.

NEMA explosion proof AC and DC motors

Motor performance data and dimensions

Three phase, C-face, foot mounted

kW	Hp	RPM	NEMA frame	Catalog number	XP cls & group	XP temp code	Amps @ high V			Efficiency %			Power factor %			Voltage	"C" dim. mm (in)	Conn. diag. number	Notes
							Full load	Locked rotor	Full load torque NM(lb-ft)	1/2	3/4	Full load	1/2 PF	3/4 PF	Full load PF				
0.37	0.5	3450	56C	CM7005A	②	T3C	2.4-2.2/1.1	6	1.02 (0.75)	56.3	64	68	44	56	63	208-230/460	335.78 (13.22)	CD0007	—
0.37	0.5	1725	56C	CM7006A	②	T3C	2.1-2/1	6.7	2.03 (1.5)	65	71.7	74	39	51	63	208-230/460	335.78 (13.22)	CD0007	—
0.56	0.75	3450	56C	CM7009A	②	T3C	2.7-2.6/1.3	7.6	1.63 (1.2)	70.6	73.6	75	58	67	73	208-230/460	335.78 (13.22)	CD0007	—
0.56	0.75	1725	56C	CM7010A	②	T3C	3.2-3/1.5	10	3.06 (2.25)	69.7	74.7	73	42	55	58	208-230/460	361.18 (14.22)	CD0007	—
0.75	1	3450	56C	CM7013	②	T3C	3.7-3.6/1.8	11	2.03 (1.5)	72.1	76.8	75.5	53	68	71	208-230/460	335.78 (13.22)	CD0005	—
0.75	1	1740	56C	CM7014	②	T3C	3.9-3.6/1.8	12.4	4.06 (2.99)	68	73.6	75.5	45	57	67	208-230/460	363.22 (14.3)	CD0005	19
0.75	1	1760	143TC	CEM7014T	②	T3C	3/1.5	12.1	4.03 (2.97)	81.9	84.8	85.5	49	62	71	230/460	364.74 (14.36)	CD0005	19
1.12	1.5	3500	143TC	CEM7018T	②	T3C	3.8/1.9	17.9	3.01 (2.22)	82	84.6	84	67	79	85	230/460	364.74 (14.36)	CD0005	19
1.12	1.5	1735	56C	CM7034	②	T3C	5-4.6/2.3	17.5	6.10 (4.5)	77.3	80.9	81.5	51	65	74	208-230/460	363.22 (14.3)	CD0005	19
1.12	1.5	1760	145TC	CEM7034T	②	T3C	4.4/2.2	18.3	6.07 (4.47)	84.5	86.9	86.5	51	65	73	230/460	386.84 (15.23)	CD0005	19
1.5	2	3490	145TC	CEM7071T	②	T3C	5/2.5	25.9	4.05 (2.98)	83.5	85.9	85.5	75	84	88	230/460	386.84 (15.23)	CD0005	19
1.5	2	1735	56C	CM7037	②	T3C	6.0/3.0	24.8	8.22 (6.05)	79.2	82.2	82.5	53	67	76	230/460	385.31 (15.17)	CD0005	19
1.5	2	1755	145TC	CEM7037T	②	T3C	5.8/2.9	24.3	8.09 (5.95)	84	86.5	86.5	51	64	73	230/460	408.94 (16.1)	CD0005	19
2.2	3	3450	145TC	CEM7075T	①	T3C	7.2/3.6	33	6.10 (4.5)	87.9	88.2	86.5	81	88	92	230/460	408.68 (16.09)	CD0005	—
2.2	3	1760	182TC	CEM7042T	②	T3C	8.4/4.2	30.8	9.53 (7.1)	86	88.5	89.5	49	62	75	230/460	479.04 (18.86)	CD0005	19
4	5	3450	184TC	CEM7072T	②	T3C	11.8/5.9	57.2	10.43 (7.67)	88.9	89.4	88.5	81	88	91	230/460	479.04 (18.86)	CD0005	19, 35
4	5	1750	184TC	CEM7044T	②	T3C	13.4/6.7	49.1	20.20 (14.9)	89.7	90.3	89.5	60	72	78	230/460	496.57 (19.55)	CD0005	19
5.6	7.5	3450	184TC	CEM7073T	①	T2C	16.8/8.4	91	15.50 (11.4)	90.6	90.7	89.5	85	90	93	230/460	517.14 (20.36)	CD0005	35
5.6	7.5	3470	213TC	CEM7045T	②	T3C	17.2/8.6	63.1	15.04 (11.1)	89.1	90.2	89.5	80	87	90	230/460	516.38 (20.33)	CD0005	19
5.6	7.5	1770	213TC	CEM7047T	②	T3C	18.8/9.4	69.3	24.20 (17.8)	90.8	91.9	91.7	56	70	81	230/460	535.43 (21.08)	CD0005	19, 35
7.5	10	3500	215TC*	CEM7174T	②	T3C	22.2/11.1	88.5	20.201 (14.9)	93	93.2	92.4	79	88	90	230/460	524.51 (20.65)	CD0005	19
7.5	10	1760	215TC*	CEM7170T	②	T3C	24.4/12.2	81	40.52 (29.8)	92.5	92.9	91.7	71	80	83	230/460	524.51 (20.65)	CD0005	19
11	15	3520	254TC*	CEM7053T	②	T3C	35/17.5	110	30.05 (22.1)	91	91.6	91	77	85	87	230/460	660.40 (26)	CD0180	19
11	15	1765	254TC*	CEM7054T	②	T3C	36/18	125	61.2 (45)	92.1	93	92.4	71	81	84	230/460	660.40 (26)	CD0005	19
15	20	3520	256TC*	CEM7059T	②	T3C	46/23	161	40.25 (29.6)	92.2	92.4	91	78	86	89	230/460	660.40 (26)	CD0005	19
15	20	1765	256TC*	CEM7056T	②	T3C	48/24	166	73.57 (54.1)	92.5	93.2	93	72	81	84	230/460	660.40 (26)	CD0180	19
18.7	25	3520	284TSC*	CEM7063T	②	T3C	57/28.5	177	50.86 (37.4)	91.5	91.7	91.7	80	87	89	230/460	691.89 (27.24)	CD0180	19
18.7	25	1780	284TC*	CEM7058T	②	T3C	61/30.5	179	96.83 (71.2)	91.5	92.2	93.6	69	79	82	230/460	726.69 (28.61)	CD0005	19
22.4	30	1770	286TC*	CEM7060T	②	T3C	72/36	235	121.18 (89.1)	93.7	94.3	93.6	66	75	83	230/460	726.69 (28.61)	CD0005	19
29	40	1775	324TC*	CEM7062T	②	T3C	96/48	334	159.98 (118)	93.6	94.4	94.1	67	77	82	230/460	812.80 (32)	CD0180	19
37	50	1775	326TC*	CEM7064T	②	T3C	114/57	392	202.64 (149)	94.4	94.9	94.5	73	82	87	230/460	812.80 (32)	CD0180	19

* Cast Iron Frame

① Class I, Group D

② Class I, Group D, Class II, Group F & G

19 60/50 Hertz motor. 60 Hertz data shown,

Contact your regional support office for 50 Hertz data.

35 Design A, Exceeds Design B in rush limits

Caution: These explosion proof motors are not suitable for use with adjustable speed drives. Inverter duty explosion proof motors must be used, see page 27.

NEMA explosion proof AC and DC motors

Motor performance data and dimensions

Single phase, C-face, footless

kW	Hp	RPM	NEMA frame	Catalog number	XP cls & group	XP temp code	Amps @ high V		Full load torque NM(lb-ft)	Efficiency %			Power factor %			Voltage	"C" dim. mm (in)	Conn. diag. number	Notes
							Full load	Locked rotor		1/2	3/4	Full load	1/2 PF	3/4 PF	Full load PF				
0.18	0.25	1725	56C	VL5000A	②	T3C	4.2/2-2.1	10.8	1.03 (0.762)	50	60.6	62	47	54	64	115/208-230	335.78 (13.22)	CD0565	-
0.25	0.33	3450	56C	VL4005A	②	T3C	7/3.5	37	0.66 (0.489)	40	48.9	57	43	50	71	115/230	335.78 (13.22)	CD0565	-
0.25	0.33	1725	56C	VL5001A	②	T3C	6/3.2-3	13	1.36 (1)	41	52	60	41	52	60	115/208-230	335.78 (13.22)	CD0565	-
0.25	0.33	1140	56C	VL5002A	②	T4	6.8/3.4	13	2.03 (1.5)	41.5	50.1	54	42	50	56	115/230	363.22 (14.3)	CD0008	-
0.37	0.5	3450	56C	VL5003A	②	T3C	7.4/3.7	18.5	1.02 (0.75)	49.7	57.4	57	49	61	71	115/230	335.78 (13.22)	CD0565	-
0.37	0.5	1725	56C	VL5004A	②	T3C	7.4/3.9-3.7	19.41	2.03 (1.5)	55.2	62	64	48	59	66	115/208-230	361.18 (14.22)	CD0565	-
0.37	0.5	1140	56C	VL5005A	②	T4	8.0/4.0	19	3.06 (2.25)	57	62.3	59	41	49	63	115/230	385.31 (15.17)	CD0008	-
0.56	0.75	3450	56C	VL5006A	②	T4	9.8/4.9	28.3	1.53 (1.13)	50	58	62	60	70	75	115/230	14.3	CD0008	-
0.56	0.75	1725	56C	VL5007A	②	T4	10.6/5.3	34	3.06 (2.25)	58.2	65.4	66	45	56	68	115/230	385.31 (15.17)	CD0008	-
0.75	1	3450	56C	VL5009A	②	T4	12.0/6.0	37.9	2.03 (1.51)	63.2	68.3	66	66	76	81	115/230	385.31 (15.17)	CD0008	-
0.75	1	1725	56C	VL5023A	①	T2C	13/6.5	37	4.06 (3)	63	66.8	67	53	65	73	115/230	385.31 (15.17)	CD0008	-
1.12	1.5	3450	56C	VL5030	②	T3C	15/7.9-7.5	42	3.12 (2.3)	65.3	68.4	70	64	73	82	115/208-230	385.31 (15.17)	CD0001	-
1.12	1.5	1725	56C	VL5024A	①	T2C	16/8	47	6.10 (4.5)	73.9	77.8	75	59	72	78	115/230	442.46 (17.42)	CD0008	-
1.5	2	1725	184C	VL5027	①	T2C	22/11.6-11	61	8.13 (6)	72.3	74.3	75	58	69	81	115/208-230	468.12 (18.43)	CD0001	-

Three phase, C-face, footless

kW	Hp	RPM	NEMA frame	Catalog number	XP cls & group	XP temp code	Amps @ high V		Full load torque NM(lb-ft)	Efficiency %			Power factor %			Voltage	"C" dim. mm (in)	Conn. diag. number	Notes
							Full load	Locked rotor		1/2	3/4	Full load	1/2 PF	3/4 PF	Full load PF				
0.18	0.25	1725	56C	VM7001A	②	T3C	1.4-1.3/1.7	3.45	1.02 (0.75)	55.5	62.5	63	33	43	56	208-230/460	335.78 (13.22)	CD0007	-
0.25	0.33	1725	56C	VM7002A	②	T3C	1.8-1.6/1.8	4.4	1.36 (1)	59	65	67	40	50	57	208-230/460	335.78 (13.22)	CD0007	-
0.37	0.5	3450	56C	VM7005A	②	T3C	2.4-2.2/1.1	6	1.02 (0.75)	56.3	64	68	44	56	63	208-230/460	335.78 (13.22)	CD0007	-
0.37	0.5	1725	56C	VM7006A	②	T3C	2.1-2/1	6.7	2.03 (1.5)	65	71.7	74	39	51	63	208-230/460	335.78 (13.22)	CD0007	-
0.37	0.5	1140	56C	VM7007A	②	T4	2.5-2.4/1.2	5.8	3.06 (2.25)	57	64	70	37	47	55	208-230/460	363.22 (14.3)	CD0007	-
0.56	0.75	3450	56C	VM7009A	②	T3C	2.7-2.6/1.3	7.6	1.63 (1.2)	70.6	73.6	75	58	67	73	208-230/460	335.78 (13.22)	CD0007	-
0.56	0.75	1725	56C	VM7010A	②	T3C	3.2-3/1.5	10	3.06 (2.25)	69.7	74.7	73	42	55	58	208-230/460	361.18 (14.22)	CD0007	-
0.56	0.75	1140	56C	VM7031A	②	T4	3-2.8/1.4	8	4.62 (3.4)	71	75	77	42	55	63	208-230/460	385.31 (15.17)	CD0007	-
0.75	1	3450	56C	VM7013	②	T3C	3.7-3.6/1.8	19.6	2.03 (1.51)	76.7	79.7	75.5	65	75	71	208-230/460	335.78 (13.22)	CD0005	-
0.75	1	1725	56C	VM7014	②	T3C	3.8-3.6/1.8	14.6	4.06 (3)	70.5	76	75.5	46	57	64	208-230/460	386.58 (15.22)	CD0005	-
0.75	1	1750	143TC	VM7014T	②	T3C	3.2/1.6	13.2	4.06 (2.99)	78	81.4	82.5	50	63	73	230/460	363.98 (14.33)	CD0005	19
0.75	1	1155	56C	VM7032	①	T2C	3.8/1.9	10.3	6.14 (4.52)	73.9	77.8	78.5	41	54	63	230/460	363.22 (14.3)	CD0005	-
1.12	1.5	3450	143TC	VM7018T	②	T3C	4.2/2.1	16.4	3.06 (2.25)	80.6	82.7	82.5	75	83	88	230/460	363.98 (14.33)	CD0005	19
1.12	1.5	1735	56C	VM7034	②	T3C	5-4.6/2.3	17.5	6.10 (4.5)	77.3	80.9	81.5	51	65	74	208-230/460	363.22 (14.3)	CD0005	19
1.12	1.5	1755	145TC	VM7034T	②	T3C	4.8/2.4	19	6.02 (4.43)	79.4	83	84	48	62	70	230/460	386.33 (15.21)	CD0005	19
1.12	1.5	1150	145TC	VM7035T	①	T2C	5.4/2.7	20.2	9.22 (6.78)	82.1	84.9	85.5	41	53	61	208-230/460	443.99 (17.48)	CD0005	-
1.5	2	3450	145TC	VM7071T	②	T3C	5.2/2.6	22.7	3.68 (2.71)	77.2	80.3	84	73	80	88	230/460	386.33 (15.21)	CD0005	19
1.5	2	1735	56C	VM7037	②	T3C	6.0/3.0	24.8	8.22 (6.05)	79.2	82.2	82.5	53	67	76	230/460	385.31 (15.17)	CD0005	19
1.5	2	1750	145TC	VM7037T	②	T3C	6.2/3.1	23.8	8.10 (5.96)	81	83.6	84	50	63	72	230/460	386.33 (15.21)	CD0005	19
2.2	3	3450	145TC	VM7075T	①	T2C	7.9-7.4/3.7	35.5	6.35 (4.67)	85.6	86.6	85.5	78	86	90	208-230/460	408.94 (16.1)	CD0005	-
2.2	3	3460	182TC	VM7026T	②	T3C	7.8-7.4/3.7	30.5	6.39 (4.7)	84.9	86.2	85.5	80	88	91	208-230/460	444.24 (17.49)	CD0005	19
2.2	3	1750	182TC	VM7042T	②	T3C	8.2/4.1	69.2	12.25 (9.01)	86.4	88.1	87.5	58	70	78	230/460	479.04 (18.86)	CD0005	19
4	5	3465	184TC	VM7072T	②	T3C	11.2/5.6	55.2	7.41 (5.45)	81.6	85	87.5	81	89	93	230/460	458.72 (18.06)	CD0005	19, 35
4	5	1745	184TC	VM7044T	②	T3C	13.6/6.8	48.4	20.33 (15)	87.1	88.3	87.5	59	72	78	230/460	458.72 (18.06)	CD0005	19, 35
5.6	7.5	3450	184TC	VM7073T	①	T2C	17.4/8.7	98.8	15.64 (11.5)	88.4	89.3	88.5	83	91	93	230/460	517.14 (20.36)	CD0005	35
5.6	7.5	3500	213TC	VM7045T	②	T3C	17.8/8.9	73.8	15.36 (11.3)	87.4	89.2	88.5	81	87	89	230/460	487.42 (19.19)	CD0005	19, 35
5.6	7.5	1770	213TC	VM7047T	②	T3C	20.2/10.1	77.5	30.09 (22.2)	88.1	89.7	89.5	58	71	77	230/460	487.42 (19.19)	CD0005	19, 35
7.5	10	1760	215TC	VM7170T	②	T3C	26/13	85.5	36.58 (26.9)	87.2	88.7	89.5	61	72	80	230/460	524.51 (20.65)	CD0005	19

① Class I, Group D

② Class I, Group D, Class II, Group F & G

19 60/50 Hertz motor. 60 Hertz data shown,

Contact your regional support office for 50 Hertz data.

35 Design A, Exceeds Design B in rush limits

Caution: These explosion proof motors are not suitable for use with adjustable speed drives.

Inverter duty explosion proof motors must be used, see page 27.

NEMA explosion proof AC and DC motors

Motor performance data and dimensions

Three phase, 575 volt, C-face, footless

kW	Hp	RPM	NEMA frame	Catalog number	XP cls & group	XP temp code	Amps @ high V		Full load torque NM(lb-ft)	Efficiency %		Power factor %			Voltage	"C" dim. mm (in)	Conn. diag. number	Notes	
							Full load	Locked rotor		1/2	3/4	Full load	1/2 PF	3/4 PF					Full load PF
0.37	0.5	1725	56C	VM7006-5	Ⓜ	T3C	0.9	5.9	2.03 (1.5)	59	66.7	74	41	52	60	575	363.22 (14.3)	CD0006	-
0.56	0.75	1725	56C	VM7010-5	Ⓜ	T3C	1.2	6.7	3.11 (2.3)	64	70.4	76	46	58	69	575	363.22 (14.3)	CD0006	-
0.75	1	1740	56C	VM7014-5	Ⓜ	T3C	1.5	9.57	4.06 (2.99)	67.4	72.9	75.5	45	57	67	575	363.22 (14.3)	CD0006	-
0.75	1	1760	143TC	VEM7014T-5	Ⓜ	T3C	1.2	9.66	4.03 (2.97)	81.9	84.4	85.5	49	62	71	575	363.98 (14.33)	CD0006	-
0.75	1	1740	143TC	VM7014T-5	Ⓜ	T3C	1.2	7.8	4.06 (3)	81.2	82.9	82.5	63	74	80	575	363.98 (14.33)	CD0006	-
1.12	1.5	1760	145TC	VEM7034T-5	Ⓜ	T3C	1.8	14.6	6.07 (4.47)	84.5	87	86.5	51	65	73	575	386.33 (15.21)	CD0006	-
1.12	1.5	1755	145TC	VM7034T-5	Ⓜ	T3C	1.9	15.2	6.02 (4.43)	79.1	83.1	84	48	61	70	575	386.33 (15.21)	CD0006	-
1.5	2	1755	145TC	VEM7037T-5	Ⓜ	T3C	2.4	19.6	8.09 (5.95)	83.8	86.4	86.5	50	64	73	575	408.68 (16.09)	CD0006	-
1.5	2	1740	145TC	VM7037T-5	Ⓜ	T3C	2.2	16.8	8.13 (6)	83.8	85.2	84	61	73	79	575	386.33 (15.21)	CD0006	-
2.2	3	1760	182TC	VEM7042T-5	Ⓜ	T3C	3.3	25.9	12.07 (8.88)	87.7	89.5	89.5	54	67	75	575	479.04 (18.86)	CD0006	-
2.2	3	1750	182TC	VM7042T-5	Ⓜ	T3C	3.3	25.9	12.10 (8.9)	86.1	87.8	87.5	59	71	78	575	479.04 (18.86)	CD0006	-
4	5	1750	184TC	VEM7044T-5	Ⓜ	T3C	5.3	39.3	20.20 (14.9)	89.6	90.5	89.5	60	72	78	575	479.04 (18.86)	CD0006	-
4	5	1750	184TC	VM7044T-5	Ⓜ	T3C	5.2	41	20.33 (15)	87.3	88.4	87.5	63	74	80	575	477.52 (18.8)	CD0006	-
5.6	7.5	1770	213TC	VM7047T-5	Ⓜ	T3C	8.1	61.4	30.09 (22.2)	88.4	89.6	89.5	59	71	77	575	487.42 (19.19)	CD0006	-

Ⓜ Class I, Group D, Class II, Group F & G

Caution: These explosion proof motors are not suitable for use with adjustable speed drives. Inverter duty explosion proof motors must be used, see page 27.

NEMA explosion proof AC and DC motors

Motor performance data and dimensions

Severe duty, explosion proof motors

Rigid base, 1.15 service factor

These Baldor•Reliance® motors are built suitable for harsh industrial environments requiring protection against corrosion, that contain hazardous gas and vapor, dust fibers, filings or other material that may have explosive properties. 1.15 service factor, severe duty design includes rugged cast iron construction with corrosion resistant epoxy finish. Shaft slingers & inner caps installed on both ends of motor for bearing protection. Includes normally closed thermostats. UL & CSA approved for Division 1 Class I, Group D, Class II, Group E, F & G, T3C temperature code.



Three phase, foot mounted

kW	Hp	RPM	NEMA frame	Catalog number	XP cls & group	XP temp code	Amps @ high V			Efficiency %		Power factor %			Voltage	"C" dim. mm (in)	Conn. diag. number	Notes	
							Full load	Locked rotor	Full load torque NM(lb-ft)	1/2	3/4	Full load	1/2 PF	3/4 PF					Full load PF
2.2	3	1755	182T*	EM7542T-I	③	T3C	8.2/4.1	29.8	12.32 (9.06)	88.9	90.1	89.5	58	70	77	230/460	446.78 (17.59)	CD0005	-
2.2	3	1165	213T*	EM7536T-I	③	T3C	9/4.5	33.2	18.49 (13.6)	89	90.1	89.5	53	64	71	230/460	508.50 (20.02)	CD0005	-
4	5	3505	L184T*	EM7572T-I	③	T3C	12./6.0	44	10.18 (7.49)	89.2	89.6	88.5	74.3	83.7	87.7	230/460	434.84 (17.12)	416820-001	-
4	5	1750	L184T*	EM7544T-I	③	T3C	13.2/6.6	46	20.33 (15)	89.4	90.1	89.5	62.3	73.6	79.9	230/460	434.84 (17.12)	416820-001	-
4	5	1165	L215T*	EM7540T-I	③	T3C	13.6/6.8	46	30.6 (22.5)	89.7	90.2	89.5	59.8	71	76.9	230/460	511.04 (20.12)	416820-001	-
5.6	7.5	1770	213T*	EM7547T-I	③	T3C	19/9.5	68	29.96 (22.1)	91.6	92.3	91.7	65	76	81	230/460	508.50 (20.02)	CD0005	35
5.6	7.5	1180	254T*	EM7548T-I	③	T3C	21.4/10.7	69.7	43.92 (32.4)	89.7	91.5	91.7	52	63	71	230/460	655.57 (25.81)	CD0005	-
7.5	10	1765	L215T*	EM7670T-I	③	T3C	24.6/12.3	81	40.40 (29.8)	92.3	92.4	91.7	67.9	77.9	83	230/460	511.04 (20.12)	416820-002	-
7.5	10	1170	256T*	EM7565T-I	③	T3C	25/12.5	78	60.92 (44.8)	91.7	91.8	91	70.2	78.8	82.2	230/460	623.82 (24.56)	416820-002	-
11	15	1765	254T*	EM7554T-I	③	T3C	37/18.5	122.9	60.46 (44.6)	91.9	92.6	92.4	66	77	82	230/460	655.57 (25.81)	CD0005	-
15	20	3520	256T*	EM7559T-I	③	T3C	44.6/22.3	145	40.40 (29.8)	92.3	92.4	91.7	86.4	90.4	91.1	230/460	623.82 (24.56)	416820-002	-
15	20	1765	256T*	EM7556T-I	③	T3C	24	145	81.05 (59.6)	93.5	93.6	93	73.5	81	83.8	230/460	623.82 (24.56)	416820-036	-
18.7	25	1770	284T*	EM7558T-I	③	T3C	60/30.0	186	100.60 (74.2)	92.3	93.5	93.6	73	81	84	230/460	726.69 (28.61)	CD0005	-
22.4	30	1765	286T*	EM7560T-I	③	T3C	72.2/36.1	217	121.17 (89.1)	94.1	94.2	93.6	73.9	80.9	83.1	230/460	696.97 (27.44)	416820-002	-
29	40	1775	324T*	EM7562T-I	③	T3C	94/47	325	159.98 (118)	93.8	94.5	94.1	74	82	85	230/460	812.80 (32)	CD0180	-
37	50	1775	326T*	EM7564T-I	③	T3C	117/58.8	355	201.28 (148)	95.1	95.1	94.5	75.6	82.2	84.2	230/460	773.17 (30.44)	416820-002	-
37	50	1180	365T*	EM7585T-I	③	T3C	120/60.1	358	301.92 (222)	94.1	94.6	94.1	70.9	79.4	83	230/460	849.37 (33.44)	416820-002	-
44	60	1780	364T*	EM7566T-I	③	T3C	136/67.8	432	239.98 (177)	95.4	95.5	95	76.6	84.2	87	230/460	849.37 (33.44)	416820-002	-
56	75	1780	365T*	EM7568T-I	③	T3C	168/84.1	510	299.63 (221)	96.1	95.9	95.4	78.2	85.1	87.5	230/460	849.37 (33.44)	416820-002	-
56	75	1185	405T*	EM7587T-I	③	T3C	174/86.9	541	450.13 (332)	95	95.3	95	73	81.6	85.1	230/460	973.07 (38.31)	416820-002	-
75	100	1780	405T*	EM7590T-I	③	T3C	112	708	401.20 (295)	95.5	95.7	95.4	77.9	84.9	87.5	460	973.07 (38.31)	416820-036	-
75	100	1188	444T*	EM7599T-I	③	T3C	115	725	601.12 (442)	94.7	95.2	95	77.3	83.7	85.6	460	1113.34 (44.62)	416820-036	-
93	125	1785	444T*	EM7600T-I	③	T3C	139	907	500.48 (368)	95.5	95.9	95.8	81.4	86.7	87.9	460	1113.34 (44.62)	416820-036	-
112	150	1785	445T*	EM7596T-I	③	T3C	165	1085	599.76 (441)	96.4	96.6	96.2	83.1	87.7	88.5	460	1113.34 (44.62)	416820-036	-

* Cast Iron Frame

③ Class I, Group D, Class II, Group E, F & G

35 Design A, Exceeds Design B in rush limits

Caution: These explosion proof motors are not suitable for use with adjustable speed drives. Inverter duty explosion proof motors must be used, see page 27.

NEMA explosion proof AC and DC motors

Motor performance data and dimensions

Drill rig duty, explosion proof, 1.15 service factor

Explosion proof motors designed for on and off shore drill rig service, bulk fuel terminals, and transfer stations. For use in high humidity hazardous-duty applications driving pumps, compressors, blowers, fans, and many other loads that require 1.15 service factor explosion proof motors. Design includes Class 1, Group C & D approval for use in areas where hydrogen sulfide is present. These motors feature labyrinth-type recessed shaft slinger for increased bearing protection. Explosion proof breather/drain to prevent build up of condensation. Class F insulation. Corrosion resistant finish with two part epoxy coating. Suitable for 55°C at 1.0 service factor. UL and CSA approved for Division 1, Class I, Group C & D.



Three phase, foot mounted

kW	Hp	RPM	NEMA frame	Catalog number	XP cls & group	XP temp code	Amps @ high V		Full load torque NM(lb-ft)	Efficiency %		Power factor %			Voltage	"C" dim. mm (in)	Conn. diag. number	Notes	
							Full load	Locked rotor		1/2	3/4	Full load	1/2 PF	3/4 PF					Full load PF
0.75	1	3450	143T	EM7013T-I	Ⓢ	T3C	2.8/1.4	10.5	1.99 (1.47)	71.7	76.4	77	72	82	87	230/460	358.64 (14.12)	CD0005	19
0.75	1	1760	143T	EM7014T-I	Ⓢ	T3C	3/1.5	12.1	4.03 (2.97)	82.1	84.8	85.5	49	62	71	230/460	358.64 (14.12)	CD0005	19
0.75	1	1155	145T	EM7032T-I	Ⓢ	T3C	3.6/1.8	10.8	6.13 (4.51)	79.4	82.3	82.5	43	55	64	230/460	383.28 (15.09)	CD0005	19
1.12	1.5	3500	143T	EM7018T-I	Ⓢ	T3C	3.8/1.9	17.9	3.01 (2.22)	82	84.6	84	67	79	85	230/460	358.64 (14.12)	CD0005	19
1.12	1.5	1760	143T	EM7034T-I	Ⓢ	T3C	4.4/2.2	18.3	6.07 (4.47)	84.5	86.9	86.5	51	65	73	230/460	383.28 (15.09)	CD0005	19
1.12	1.5	1170	182T	EM7020T-I	Ⓢ	T3C	5.2/2.6	14.7	9.21 (6.8)	86	88.3	87.5	42	53	61	230/460	464.05 (18.27)	CD0005	19
1.5	2	3490	145T	EM7071T-I	Ⓢ	T3C	5/2.5	25.9	4.05 (2.98)	83.6	85.7	85.5	75	84	88	230/460	383.28 (15.09)	CD0005	19
1.5	2	1755	145T	EM7037T-I	Ⓢ	T3C	5.8/2.9	22.9	7.30 (5.37)	82.9	85.5	86.5	49	62	73	230/460	401.57 (15.81)	CD0005	19
1.5	2	1170	184T	EM7041T-I	Ⓢ	T3C	7/3.5	20.9	12.20 (9)	86.7	88.6	88.5	41	52	61	230/460	495.80 (19.52)	CD0005	19
2.2	3	3450	182T	EM7026T-I	Ⓢ	T3C	7.4/3.7	33.3	6.39 (4.7)	86.2	87.3	86.5	82	88	91	230/460	425.95 (16.77)	CD0005	19
2.2	3	1760	182T	EM7042T-I	Ⓢ	T3C	8.4/4.2	30.8	9.65 (7.1)	86	88.5	89.5	49	62	75	230/460	464.05 (18.27)	CD0005	19
2.2	3	1160	213T	EM7036T-I	Ⓢ	T3C	9.2/4.6	34.4	18.22 (13.4)	87.7	89.4	89.5	49	61	68	230/460	516.12 (20.32)	CD0005	19
4	5	3470	184T	EM7072T-I	Ⓢ	T3C	11.2/5.6	59.3	10.41 (7.66)	90.7	90.8	90.2	83	90	94	230/460	464.05 (18.27)	CD0005	19, 35
4	5	1750	184T	EM7044T-I	Ⓢ	T3C	13/6.5	53.7	20.33 (15)	89.7	90.7	89.5	62	74	80	230/460	495.80 (19.52)	CD0005	19
4	5	1160	215T	EM7040T-I	Ⓢ	T3C	14.6/7.3	51.6	30.87 (22.7)	89.8	90.4	89.5	55	66	72	230/460	516.12 (20.32)	CD0005	19, 35
5.6	7.5	3470	213T	EM7045T-I	Ⓢ	T3C	17.2/8.6	63.1	15.04 (11.1)	89.1	90.2	89.5	80	87	90	230/460	497.07 (19.57)	CD0005	19
5.6	7.5	1770	213T	EM7047T-I	Ⓢ	T3C	18.8/9.4	69.3	24.20 (17.8)	90.8	91.9	91.7	56	70	81	230/460	516.12 (20.32)	CD0005	19, 35
5.6	7.5	1190	254T*	EM7048T-I	Ⓢ	T3C	21.4/10.7	67	44.06 (32.4)	89.3	90.7	91	53	64	70	230/460	647.70 (25.5)	CD0005	19
7.5	10	3500	215T*	EM7174T-I	Ⓢ	T3C	22.2/11.1	88.5	20.20 (14.9)	93	93.2	92.4	79	88	90	230/460	508.76 (20.03)	CD0005	19
7.5	10	1765	215T*	EM7170T-I	Ⓢ	T3C	24.6/12.3	92.9	36.44 (26.8)	93.4	92.3	92.4	61	74	81	230/460	508.76 (20.03)	CD0005	19, 35
7.5	10	1180	256T*	EM7065T-I	Ⓢ	T3C	30/15	95.3	60.19 (44.4)	89.8	91.4	91	52	63	70	230/460	647.70 (25.5)	CD0005	19
11	15	3520	254T*	EM7053T-I	Ⓢ	T3C	35/17.5	110	29.96 (22.1)	91	91.6	91	77	85	87	230/460	647.70 (25.5)	CD0180	19
11	15	1765	254T*	EM7054T-I	Ⓢ	T3C	36/18	125	61.2 (45)	92.1	93	92.4	71	81	84	230/460	647.70 (25.5)	CD0005	19
11	15	1180	284T*	EM7057T-I	Ⓢ	T3C	40/20	122	89.35 (65.7)	90.6	92	91.7	58	69	75	230/460	726.69 (28.61)	CD0180	19
15	20	3530	256T*	EM7059T-I	Ⓢ	T3C	44/22	171	40.40 (29.8)	92.5	93	91	87	91	91	230/460	647.70 (25.5)	CD0180	19, 35
15	20	1765	256T*	EM7056T-I	Ⓢ	T3C	48/24	171	81.6 (60)	92.9	93.5	93	74	83	84	230/460	647.70 (25.5)	CD0180	19
15	20	1180	286T*	EM7079T-I	Ⓢ	T3C	54/27	165	121.58 (89.4)	91.1	91.9	91.7	60	71	77	230/460	726.69 (28.61)	CD0180	19, 35
18.7	25	3520	284TS*	EM7063T-I	Ⓢ	T3C	57/28.5	177	50.86 (37.4)	91.5	91.7	91.7	80	87	89	230/460	691.61 (27.23)	CD0180	19
18.7	25	1780	284T*	EM7058T-I	Ⓢ	T3C	61/30.5	188	100.64 (74)	93.4	93.9	93.6	69	78	82	230/460	726.69 (28.61)	CD0005	19
18.7	25	1180	324T*	EM7082T-I	Ⓢ	T3C	63/32	198	150.49 (111)	92.8	93.5	93	65	75	79	230/460	812.80 (32)	CD0180	19, 35
22.4	30	3520	286TS*	EM7083T-I	Ⓢ	T3C	66/33	194	60.46 (44.6)	92.9	93.3	91.7	85	90	90	230/460	691.61 (27.23)	CD0180	19
22.4	30	1770	286T*	EM7060T-I	Ⓢ	T3C	72/36	235	121.17 (89.1)	93.7	94.3	93.6	66	75	83	230/460	726.69 (28.61)	CD0005	19
22.4	30	1180	326T*	EM7080T-I	Ⓢ	T3C	78/39	243	180.32 (133)	92.5	93.2	93	62	73	78	230/460	812.80 (32)	CD0005	19, 35
29	40	3530	324TS*	EM7067T-I	Ⓢ	T3C	92/46	305	80.51 (59.2)	91.6	92.6	92.4	79	86	88	230/460	774.70 (30.5)	CD0180	19
29	40	1775	324T*	EM7062T-I	Ⓢ	T3C	96/48	338	159.98 (118)	93.5	94.2	94.1	69	78	82	230/460	812.80 (32)	CD0180	19
29	40	1180	364T*	EM7084T-I	Ⓢ	T3C	94.4/47.2	275	242.08 (178)	94.4	94.5	94.1	74	81.5	84.3	230/460	849.37 (33.44)	416820-002	19
37	50	3540	326TS*	EM7081T-I	Ⓢ	T3C	112/56	4.8	101.18 (74.4)	93.8	94.2	93	82	88	90	230/460	774.70 (30.5)	CD0180	19, 35
37	50	1775	326T*	EM7064T-I	Ⓢ	T3C	114/57	384	194.48 (143)	94.5	94.4	94.5	73	82	87	230/460	812.80 (32)	CD0180	19
37	50	1180	365T*	EM7085T-I	Ⓢ	T3C	120/60.1	358	301.92 (222)	94.4	94.6	94.1	70.9	79.4	82.7	230/460	849.37 (33.44)	416820-002	19
44	60	3560	364TS*	EM7310T-I	Ⓢ	T3C	135/67.3	415	119.99 (88.5)	92.7	93.7	93.6	79.6	86.4	89	230/460	795.27 (31.31)	416820-002	19
44	60	1780	364T*	EM7066T-I	Ⓢ	T3C	136/67.8	432	239.98 (177)	95.4	95.5	95	76.6	84.2	87	230/460	849.37 (33.44)	416820-002	19
44	60	1185	404T*	EM7086T-I	Ⓢ	T3C	135/67.3	434	361.76 (266)	94.6	94.9	94.5	79.3	86	88.3	230/460	973.07 (38.31)	416820-002	19
56	75	3555	365TS*	EM7313T-I	Ⓢ	T3C	167/83.4	465	150.49 (111)	93	93.8	93.6	83	88.3	89.9	230/460	795.27 (31.31)	416820-002	19
56	75	1780	365T*	EM7068T-I	Ⓢ	T3C	168/84.1	510	299.63 (221)	96.1	95.9	95.4	78.2	85.1	87.5	230/460	849.37 (33.44)	416820-002	19
56	75	1185	405T*	EM7087T-I	Ⓢ	T3C	168/84.2	537	452.88 (333)	94.8	95	94.5	79.3	85.9	88.3	230/460	973.07 (38.31)	416820-002	19
75	100	1780	405T*	EM7090T-I	Ⓢ	T3C	224/112	708	401.20 (295)	95.5	95.7	95.4	77.9	84.9	87.5	230/460	973.07 (38.31)	416820-002	19

* Cast Iron Frame, Ⓢ Class I, Group C & D

19 60/50 Hertz motor. 60 Hertz data shown, 35 Design A, Exceeds Design B in rush limits
Contact your regional support office for 50 Hertz data.

Caution: These explosion proof motors are not suitable for use with adjustable speed drives. Inverter duty explosion proof motors must be used, see page 27.

NEMA explosion proof AC and DC motors

Motor performance data and dimensions

Drill rig duty, three phase, 575 volt, foot mounted

kW	Hp	RPM	NEMA frame	Catalog number	XP cls & group	XP temp code	Amps @ high V		Full load torque NM(lb-ft)	Efficiency %			Power factor %			Voltage	"C" dim. mm (in)	Conn. diag. number	Notes
							Full load	Locked rotor		1/2	3/4	Full load	1/2 PF	3/4 PF	Full load PF				
2.2	3	1760	182T	EM7042T-I-5	④	T3C	3.3	25.9	12.08 (8.88)	87.7	89.5	89.5	54	67	75	575	464.05 (18.27)	CD0006	-
4	5	1750	184T	EM7044T-I-5	④	T3C	5.2	43	20.33 (15)	89.7	90.7	89.5	62	74	80	575	495.80 (19.52)	CD0006	-
5.6	7.5	1770	213T	EM7047T-I-5	④	T3C	7.6	58.5	30.09 (22.2)	91.9	92.3	91.7	61	74	81	575	516.12 (20.32)	CD0006	35
7.5	10	1765	215T*	EM7170T-I-5	④	T3C	9.8	78	40.39 (29.7)	93.6	92.9	92.4	62	75	80	575	508.76 (20.03)	CD0006	35
11	15	1765	254T*	EM7054T-I-5	④	T3C	14.8	99	60.33 (44.5)	91.3	92.5	92.4	67	78	82	575	647.70 (25.5)	CD0006	-
15	20	1765	256T*	EM7056T-I-5	④	T3C	19.2	140	79.99 (59)	92.8	93.1	93	69	80	84	575	647.70 (25.5)	CD0006	-
18.7	25	1780	284T*	EM7058T-I-5	④	T3C	24.5	158	100.50 (73.9)	90.6	92.5	93.6	70	79	82	575	726.69 (28.61)	CD0006	-
22.4	30	1770	286T*	EM7060T-I-5	④	T3C	29	177	121.31 (89.2)	93.9	94.4	93.6	69	77	83	575	726.69 (28.61)	CD0006	-
29	40	1775	324T*	EM7062T-I-5	④	T3C	39	267	159.98 (118)	93.6	94.3	94.1	67	77	82	575	812.80 (32)	CD0006	-
37	50	1775	326T*	EM7064T-I-5	④	T3C	45.6	318	159.98 (118)	94.4	94.9	94.5	81	80	87	575	812.80 (32)	CD0006	-
44	60	1780	364T*	EM7066T-I-5	④	T3C	54.2	346	239.98 (177)	95.4	95.5	95	76.6	84.2	87	575	812.80 (32)	416820-036	-
56	75	1780	365T*	EM7068T-I-5	④	T3C	67.2	408	299.63 (221)	96.1	95.9	95.4	78.2	85.1	87.5	575	812.80 (32)	416820-036	-
75	100	1780	405T*	EM7090T-I-5	④	T3C	89.6	566	401.20 (295)	95.5	95.7	95.4	77.9	84.9	87.5	575	973.07 (38.31)	416820-036	-

Drill rig duty, single phase, C-face, foot mounted

kW	Hp	RPM	NEMA frame	Catalog number	XP cls & group	XP temp code	Amps @ high V		Full load torque NM(lb-ft)	Efficiency %			Power factor %			Voltage	"C" dim. mm (in)	Conn. diag. number	Notes
							Full load	Locked rotor		1/2	3/4	Full load	1/2 PF	3/4 PF	Full load PF				
0.25	0.33	1725	56C	CL5001-I	④	T3C	6.6/2.9-3.3	15.5	1.36 (1)	39.9	48.7	55	43	52	58	115/208-230	363.47 (14.31)	CD0001	-
0.37	0.5	1725	56C	CL5004-I	④	T3C	8/3.8-4	24	2.03 (1.5)	52	60	64	45	54	63	115/208-230	363.47 (14.31)	CD0001	-
0.56	0.75	1725	56C	CL5007-I	④	T3C	10.6/5.3	71.5	3.04 (2.24)	59.8	67.1	68	47	57	70	115/208-230	385.31 (15.17)	CD0001	-
0.75	1	1725	56C	CL5023-I	④	T3C	12/6.0	38.6	4.22 (3.11)	62.3	66.5	68	66	80	77	115/230	407.67 (16.05)	CD0001	-

Drill rig duty, three phase, C-face, foot mounted

kW	Hp	RPM	NEMA frame	Catalog number	XP cls & group	XP temp code	Amps @ high V		Full load torque NM(lb-ft)	Efficiency %			Power factor %			Voltage	"C" dim. mm (in)	Conn. diag. number	Notes
							Full load	Locked rotor		1/2	3/4	Full load	1/2 PF	3/4 PF	Full load PF				
0.37	0.5	1740	56C	CM7006-I	④	T3C	1.6/8	6.34	2.02 (1.49)	73.8	78.4	80	45	59	63	230/460	333.75 (13.14)	CD0005	19
0.56	0.75	1750	56C	CM7010-I	④	T3C	2.8/1.4	9.47	2.46 (1.81)	65.8	71.9	78.5	40	51	66	230/460	362.71 (14.28)	CD0005	19
0.75	1	1750	56C	CM7014-I	④	T3C	3.2/1.6	13.2	4.06 (2.99)	78	81.4	82.5	50	63	73	230/460	362.71 (14.28)	CD0005	19
1.12	1.5	1760	145TC	CEM7034T-I	④	T3C	4.4/2.2	18.3	6.07 (4.47)	84.5	86.9	86.5	51	65	73	230/460	386.84 (15.23)	CD0005	19
1.5	2	1755	145TC	CEM7037T-I	④	T3C	5.8/2.9	22.9	7.30 (5.37)	82.9	85.5	86.5	49	62	73	230/460	408.94 (16.1)	CD0005	19
2.2	3	1760	182TC	CEM7042T-I	④	T3C	8.4/4.2	30.8	9.65 (7.1)	86	88.5	89.5	49	62	75	230/460	497.58 (19.59)	CD0005	19
4	5	1750	184TC	CEM7044T-I	④	T3C	13/6.5	53.7	20.33 (15)	89.7	90.7	89.5	62	74	80	230/460	529.33 (20.84)	CD0005	19
5.6	7.5	1770	213TC	CEM7047T-I	④	T3C	18.8/9.4	69.3	24.20 (17.8)	90.8	91.9	91.7	56	70	81	230/460	535.17 (21.07)	CD0005	19, 35
7.5	10	1765	215TC	CEM7170T-I	④	T3C	24.6/12.3	92.9	36.44 (26.8)	93.4	92.3	92.4	61	74	81	230/460	527.81 (20.78)	CD0005	19, 35
11	15	1765	254TC	CEM7054T-I	④	T3C	36/18	125	61.2 (45)	92.1	93	92.4	71	81	84	230/460	660.40 (26)	CD0005	19
15	20	1765	256TC	CEM7056T-I	④	T3C	48/24	171	81.6 (60)	92.9	93.5	93	74	83	84	230/460	660.40 (26)	CD0180	19
18.7	25	1780	284TC	CEM7058T-I	④	T3C	61/30.5	188	100.64 (74)	93.4	93.9	93.6	69	78	82	230/460	726.69 (28.61)	CD0005	19
22.4	30	1770	286TC	CEM7060T-I	④	T3C	72/36	235	121.17 (89.1)	93.7	94.3	93.6	66	75	83	230/460	726.69 (28.61)	CD0005	19
29	40	1775	324TC	CEM7062T-I	④	T3C	96/48	338	159.98 (118)	93.5	94.2	94.1	69	78	82	230/460	812.80 (32)	CD0180	19
37	50	1775	326TC	CEM7064T-I	④	T3C	114/57	384	194.48 (143)	94.5	94.4	94.5	73	82	87	230/460	812.80 (32)	CD0180	19

* Cast Iron Frame

④ Class I, Group C & D

19 60/50 Hertz motor. 60 Hertz data shown,

Contact your regional support office for 50 Hertz data.

35 Design A, Exceeds Design B in rush limits

Caution: These explosion proof motors are not suitable for use with adjustable speed drives.

Inverter duty explosion proof motors must be used, see page 27.

NEMA explosion proof AC and DC motors

Motor performance data and dimensions

Drill rig duty, three phase, C-face, footless

kW	Hp	RPM	NEMA frame	Catalog number	XP cls & group	XP temp code	Amps @ high V			Full load torque NM(lb-ft)	Efficiency %		Power factor %			Voltage	"C" dim. mm (in)	Conn. diag. number	Notes
							Full load	Locked rotor	Full load		1/2	3/4	Full load	1/2 PF	3/4 PF				
0.37	0.5	1740	56C	VM7006-I	④	T3C	1.6/8	6.34	1.49	73.8	78.4	80	45	59	69	230/460	333.75 (13.14)	CD0005	19
0.56	0.75	1750	56C	VM7010-I	④	T3C	2.8/1.4	10.5	2.26	71	76.2	78.5	44	56	66	230/460	363.47 (14.31)	CD0005	19
0.75	1	1750	56C	VM7014-I	④	T3C	3.2/1.6	13.2	2.99	78	81.4	82.5	50	63	73	230/460	363.47 (14.31)	CD0005	19
0.75	1	1750	143TC	VM7014T-I	④	T3C	3.2/1.6	13.2	2.99	78	81.34	82.5	50	63	73	230/460	364.74 (14.36)	CD0005	19
1.12	1.5	1755	56C	VM7034-I	④	T3C	4.8/2.4	19	4.43	79.4	83	84	48	62	70	230/460	385.31 (15.17)	CD0005	19
1.12	1.5	1755	145TC	VM7034T-I	④	T3C	4.8/2.4	19	4.43	79.4	83	84	48	62	70	230/460	386.84 (15.23)	CD0005	19
1.5	2	1750	145TC	VM7037T-I	④	T3C	6.2/3.1	23.8	5.96	81	83.6	84	50	63	72	230/460	386.84 (15.23)	CD0005	19
2.2	3	1750	182TC	VM7042T-I	④	T3C	8.2/4.1	34.6	9.01	86.4	88.1	87.5	58	70	78	230/460	505.71 (19.91)	CD0005	19
4	5	1750	184TC	VM7044T-I	④	T3C	13.4/6.7	49.1	10.8	85.2	87.2	87.5	54	67	80	230/460	505.71 (19.91)	CD0005	19
5.6	7.5	1760	213TC	VM7047T-I	④	T3C	20.4/10.2	67	18	85.4	87.7	89.5	53	66	76	230/460	534.92 (21.06)	CD0005	19
7.5	10	1760	215TC*	VM7170T-I	④	T3C	28.4/14.2	97	26.7	86.8	89.1	89.5	52	64	73	230/460	527.55 (20.77)	CD0005	19

50 Hz, explosion proof, C-face motors

Motors for use on 50 hertz input power. Ideal for use on pumps, blowers and valves that require a NEMA C-face mounting configuration. Installed where hazardous fumes or dust may be present. Positively locked drive end bearing. 1.0 service factor. Available from stock in single and three phase, 0.33 kW (1/3 hp) through 1.5 kW (2 hp), 56C through 145TC frames. UL and CSA approved for Division 1, Class I, Group D; Class I, Group D, Class II, Group F & G.



Single phase

kW	Hp	RPM	NEMA frame	Catalog number	XP cls & group	XP temp code	Amps @ high V			Full load torque NM(lb-ft)	Efficiency %		Power factor %			Voltage	"C" dim. mm (in)	Conn. diag. number	Notes
							Full load	Locked rotor	Full load		1/2	3/4	Full load	1/2 PF	3/4 PF				
0.25	0.33	1425	56C	CL5001A-50	②	T3C	2.6	13	1.632 (1.2)	50.6	58.3	59.5	46	56	68	110/220	361.18 (14.22)	CD0565	-
0.37	0.5	1425	56C	CL5004A-50	②	T3C	3.6	17	2.448 (1.8)	62.2	67.5	62	57	69	76	110/220	386.58 (15.22)	CD0565	-
0.56	0.75	1425	56C	CL5007A-50	②	T4	4.8	23	3.672 (2.7)	66.6	71.4	70	56	68	76	110/220	385.31 (15.17)	CD0008	-
0.75	1	1425	56C	CL5023-50	①	T3C	6.2	68	4.896 (3.6)	67	69	68	63	75	82	110/220	407.67 (16.05)	CD0001	-
1.5	2	1425	182TC	CL5027T-50	①	T2C	11.5	74	10.064 (7.4)	76	78	77	56	68	78	110/220	517.14 (20.36)	CD0001	-

Three phase

kW	Hp	RPM	NEMA frame	Catalog number	XP cls & group	XP temp code	Amps @ high V			Full load torque NM(lb-ft)	Efficiency %		Power factor %			Voltage	"C" dim. mm (in)	Conn. diag. number	Notes
							Full load	Locked rotor	Full load		1/2	3/4	Full load	1/2 PF	3/4 PF				
0.37	0.5	1425	56C	CM7006-57	②	T3C	1	6.31	2.448 (1.8)	66.3	71.8	73	50	62	67	230/400	361.18 (14.22)	CD0022	-
0.55	0.75	1425	56C	CM7010-57	②	T3C	1.7	12.34	3.7264 (2.74)	68.1	73.5	75.5	41	52	61	230/400	386.58 (15.22)	CD0022	-
0.75	1	2850	56C	CM7013-57	②	T3C	1.7	11.8	2.448 (1.8)	74.8	79.3	78.5	62	73	78	230/400	361.18 (14.22)	CD0022	-
0.75	1	1425	56C	CM7014-57	②	T3C	2	12.1	5.032 (3.7)	75.4	76.6	74	53	63	76	230/400	386.58 (15.22)	CD0022	-
1.1	1.5	2850	143TC	CM7018T-57	②	T3C	2.4	18.2	3.7128 (2.73)	78	80.7	80	70	82	88	230/400	364.74 (14.36)	CD0022	-
1.1	1.5	1435	143TC	CM7034T-57	②	T3C	2.5	18.1	7.4256 (5.46)	79.9	82.2	81.5	56	70	79	230/400	386.84 (15.23)	CD0022	-
1.5	2	2850	145TC	CM7071T-57	②	T3C	3.2	22.6	5.032 (3.7)	76.6	80	78.5	73	83	91	230/400	386.84 (15.23)	CD0022	-
1.5	2	1460	145TC	CM7037T-57	②	T3C	3.4	20	9.8872 (7.27)	80.3	83	83	54	67	76	230/400	408.94 (16.1)	CD0022	-

* Cast Iron Frame

① Class I, Group D

② Class I, Group D, Class II, Group F & G

④ Class I, Group C & D

19 60/50 Hertz motor. 60 Hertz data shown,

Contact your regional support office for 50 Hertz data.

Caution: These explosion proof motors are not suitable for use with adjustable speed drives. Inverter duty explosion proof motors must be used, see page 27.

NEMA explosion proof AC and DC motors

Motor performance data and dimensions

Brake motors, explosion proof, three phase, C-face with rigid base

Explosion proof brake motors available in 0.56 kW (3/4 hp) through 2.2 kW (3 hp), NEMA frames 56C through 215TC, are designed for use in hazardous location applications requiring quick stops and holds. These 3-phase motors are C-face mounted, and feature a spring-set brake. In the event of a power outage, a manual release allows continued operation, and then resets automatically when power is restored. Explosion proof brakes require external connections. UL and CSA approved for Division 1, Class I, Group D; Class I, Group D, Class II, Group F & G.



All brake motors with brakes that have 27.2 Nm (20 lb-ft). static torque ratings or smaller can be mounted horizontally or vertically. For larger ratings consult your regional support office.

kW	Hp	RPM	NEMA frame	Enclosure	Catalog number	XP cls & group	XP temp code	Amps @ high V			Efficiency %			Power factor %			Voltage	"C" dim. mm (in)	Conn. diag. number	Brake rating	Notes
								Full load	Locked rotor	Full load torque NM(lb-ft)	1/2	3/4	Full load	1/2	3/4	Full load					
0.37	0.5	1800	56C	XPNV	CBM7006	②	T3C	0.8	6.34	2.02 (1.49)	73.8	78.4	75.5	45	59	69	208-230/460	493.77 (19.44)	CD0005	3	-
0.56	0.75	1800	56C	XPNV	CBM7010	①	T2C	1.4	10.5	3.07 (2.26)	71.7	76.6	78.5	44	56	66	208-230/460	485.90 (19.13)	CD0005	6	2, 60
0.75	1	1800	143TC	XPNV	CBM7014T	②	T3C	1.5	12.2	4.06 (2.99)	81.6	84.2	80	56	70	79	208-230/460	517.39 (20.37)	CD0005	6	2, 60
1.5	2	1800	182TC	XPNV	CBM7023T	①	T2C	2.9	26	8.13 (6)	80.8	83.7	84	57	69	76	230/460	590.29 (23.24)	CD0005	10	2, 60
2.2	3	1800	182TC *	XPFC	CEBM7142T	②	T3C	4.1	32	12.10 (8.9)	87	89.1	89.5	53.7	65.7	73	230/460	691.38 (27.22)	416820-1	15	-
2.2	3	1800	215TC	XPNV	CBM7027T	①	T2C	4.3	33	12.20 (9)	81.3	84.2	84	56	69	77	230/460	693.67 (27.31)	CD0005	15	2, 40, 60
4	5	1800	184TC*	XPFC	CEBM7144T	②	T3C	6.5	46	20.20 (14.9)	88	89.5	89.5	54.5	66.5	73.7	230/460	691.38 (27.22)	416820-1	25	-

Jet pump explosion proof motors

In applications where a threaded shaft jet pump motor is used in hazardous locations, explosion proof motors available from stock in single and three phase, 0.37 kW (1/2 hp) through 1.5 kW (2 hp), in NEMA frame 56J. They are UL and CSA approved for Class I – Group D and Class II – Group F and G.



Performance data, single phase

kW	Hp	RPM	NEMA frame	Catalog Number	XP cls & group	XP temp code	Amps @ high V			Efficiency %			Power factor %			Voltage	"C" dim. mm (in)	Conn. diag. no.	Notes
							full load	locked rotor	Full load torque NM(lb-ft)	1/2	3/4	Full load	1/2	3/4	Full load				
0.37	0.50	3450	56J	JL5003A	②	T4	3.9	23.0	1.02 (0.75)	41.2	49.7	55.0	51	59	69	115/230	375.66 (14.79)	CD0008	-
0.56	0.75	3450	56J	JL5006A	②	T4	4.9	28.3	1.63 (1.2)	50.0	58.0	62.0	60	70	75	115/230	375.66 (14.79)	CD0008	-
0.75	1	3450	56J	JL5009A	②	T4	6.0	35.0	2.03 (1.5)	65.0	67.0	66.0	64	75	81	115/230	398.27 (15.68)	CD0008	30
1.12	1.5	3450	56J	JL5030	②	T4	7.5	42.0	3.11 (2.3)	65.3	68.4	70.0	64	73	82	115/208-230	398.27 (15.68)	CD0001	-
1.5	2	3450	56J	JL5031	②	T4	11.5	78.0	4.06 (3)	64.2	70.5	74.0	65	75	82	115/208-230	420.62 (16.56)	CD0001	-

Performance data, three phase

kW	Hp	RPM	NEMA frame	Catalog number	XP cls & group	XP temp code	Amps @ high V			Efficiency %			Power factor %			Voltage	"C" dim. mm (in)	Conn. diag. no.	Notes
							full load	locked rotor	Full load torque NM(lb-ft)	1/2	3/4	Full load	1/2	3/4	Full load				
0.75	1	3450	56J	JM7013	②	T4	1.8	11.0	2.03 (1.5)	72.1	76.8	75.5	53	68	71	230/460	348.48 (13.72)	CD0005	-
1.12	1.5	3450	56J	JM7018	②	T4	2.3	16.0	3.11 (2.3)	66.7	72.7	75.5	59	71	76	208-230/460	375.66 (14.79)	CD0005	-
1.5	2	3450	56J	JM7071	②	T4	2.7	17.5	4.06 (3)	78.2	80.3	78.5	80	87	93	208-230/460	398.01 (15.67)	CD0005	-

* Cast Iron Frame

① Class I, Group D

② Class I, Group D, Class II, Group F & G

④ Class I, Group C & D

2 1.00 Service Factor

40 Brake motors may be mounted vertically with brake below motor.

60 Totally Enclosed Non-Ventilated, Continuous Duty.

Caution: These explosion proof motors are not suitable for use with adjustable speed drives. Inverter duty explosion proof motors must be used, see page 27.

NEMA explosion proof AC and DC motors

Motor performance data and dimensions

Close-coupled pump, explosion proof motors

Where close-coupled pump shaft configurations are required in hazardous locations, explosion proof motors available from stock in three phase, 2.2 kW (3 hp) through 7.5 kW (10 hp), in NEMA frames 145JM through 215JM. They are UL and CSA approved for Division 1, Class I, Group D, Class II, Group F & G, and are rated at a 1.0 service factor.



Three phase

kW	Hp	RPM	frame	Catalog number	XP cls & group	XP Temp code	Amps @ high V		Full load torque NM(lb-ft)	Efficiency %		Power factor %			Voltage	"C" dim. mm (in)	Conn. diag. no.	
							Full load	Locked rotor		1/2	3/4	Full load	1/2	3/4				Full load
2.2	3	3450	145JM	JMM7075T	①	T2C	3.8	32.9	6.25 (4.6)	83.0	84.3	82.5	74	83	89.0	208-230/460	452.12 (17.8)	CD0005
2.2	3	3450	182JM	JMM7026T	①	T2C	3.9	35.0	6.10 (4.5)	78.1	81.5	81.5	77	85	89.0	208-230/460	482.6 (19)	CD0005
4	5	3450	184JM	JMM7072T	①	T2C	6.0	47.0	10.16 (7.5)	85.8	86.5	85.5	88	93	93.0	230/460	517.65 (20.38)	CD0005
5.6	7.5	3450	184JM	JMM7073T	①	T2C	8.6	76.0	15.36 (11.3)	87.8	88.1	87.5	84	90	94.0	230/460	555.75 (21.88)	CD0005
5.6	7.5	3450	213JM	JMM7045T	①	T2C	9.3	88.7	15.50 (11.4)	82.6	85.4	84.0	84	89	88.0	230/460	509.27 (20.05)	CD0005
7.5	10	3450	215JM	JMM7074T	①	T2C	12.0	100	20.33 (15)	83.4	85.9	86.5	85	91	91.0	230/460	538.22 (21.19)	CD0005

① Class I, Group D

Close-coupled pump, drill rig duty, explosion proof motors

Designed for on and off shore drill rig service, bulk fuel terminals, and transfer stations where close-coupled pump shaft configurations are required. For use in high humidity hazardous-duty applications driving pumps, compressors, blowers and fans. These motors feature labyrinth-type recessed shaft slinger for increased bearing protection. Explosion proof breather/drain to prevent build up of condensation. Class F insulation. Corrosion resistant finish with two part epoxy coating. Rated for 55° C ambient and 1.15 service factor (EJPM71170T-I has 1.0 S.F.). UL and CSA approved for Division 1, Class I, Group C & D. Available from stock 2.2 kW (3 hp) to 7.5 kW (10 hp) with 182JP to 184JP mounting.



Three phase, JP mount with rigid base

kW	Hp	Actual RPM	NEMA frame	Catalog number	XP cls & group	XP temp code	Amps @ high V		Full load torque NM(lb-ft)	Efficiency %		Power factor %			Voltage	"C" dim. mm (in)	Conn. diag. #	Notes
							full load	Locked rotor		1/2	3/4	Full load	1/2 pf	3/4 pf				
2.2	3	1755	182JP	EJPM7142T-I	④	T3C	4.1	28.7	9.84 (7.24)	86.9	88.7	89.5	52	65	77	230/460	561.08 (22.09)	CD0005 1, 19, 30
4	5	1750	184JP	EJPM7144T-I	④	T3C	6	43.9	14.68 (10.8)	87.7	88.7	89.5	52	65	79	230/460	561.08 (22.09)	CD0005 1, 19, 30
5.6	7.5	1770	213TCZ	EJPM71147T-I	④	T3C	9.5	65.8	24.20 (17.8)	90.1	91.3	91.7	58	71	81	230/460	651.51 (25.65)	CD0005 1, 19, 97
7.5	10	1765	215TCZ	EJPM71170T-I	④	T3C	12.3	95.7	40.39 (29.7)	93.6	92.6	92.4	64	76	81	230/460	651.51 (25.65)	CD0005 19, 97

① Class I, Group D

④ Class I, Group C & D

1 Class F insulated motor with 1.15 Service Factor or higher that operates within Class "B" temperature limits at rated horsepower

19 60/50 Hertz motor. 60 Hertz data shown,

Contact your regional support office for 50 Hertz data

30 Usable at 208 volts

97 One size smaller flange and shaft

Caution: These explosion proof motors are not suitable for use with adjustable speed drives. Inverter duty explosion proof motors must be used, see page 27.

NEMA explosion proof AC and DC motors

Motor performance data and dimensions

Submersible explosion proof motors

Submersible motors are designed for wet pit applications that require continuous duty in water/sewage and 15 minute duty in air. Single phase designs are suitable for use on sine wave power only. Three phase designs are suitable for 10:1 variable torque for Division 1, Class I, Group D, T2A temperature code.



Submersible explosion proof, single phase

kW	Hp	RPM	NEMA frame	Catalog number	XP cls & group	XP temp code	Amps @ high V		Full load torque NM(lb-ft)	Efficiency %			Power factor %			Motor voltage	Connected voltage	Dim sheet	Conn. diag. number	Notes
							Full load	Locked rotor		1/2	3/4	Full load	1/2 PF	3/4 PF	Full load PF					
0.75	1	1730	180TY	C18G2730	④	T3C	8.1	40	4.13 (3.04)	42.7	50.6	55	60.8	67.9	72.9	115/230	230	66930-20	416820-102	97
0.75	1	1150	180TY	C18G2700	④	T3C	8.6	36.5	6.24 (4.57)	45.4	52.1	55.6	55.2	62.2	68.1	115/230	230	66930-20	416820-102	97
1.12	1.5	1735	180TY	C18G2731	④	T3C	10.6	100	6.17 (4.54)	51.3	58.7	62.5	60.2	68.2	73.6	115/230	230	66930-20	416820-102	97
1.12	1.5	1150	180TY	C18G2701	④	T3C	12.5	51.2	9.27 (6.82)	48.1	54.9	57	54.9	62.2	68.1	115/230	230	66930-20	416820-102	97
1.5	2	1720	180TY	C18G2702	④	T3C	14	69	8.30 (6.11)	50	57.2	60.9	65.6	71.1	73.9	115/230	230	66930-20	416820-102	97
2.2	3	1725	180TY	C18G2703	④	T3C	20	97	12.41 (9.13)	58.6	63.6	64.7	59.5	69.1	75.4	115/230	230	66930-17	416820-102	-
2.2	3	1725	180TY	C18G2704	④	T3C	20	97	12.41 (9.13)	58.6	63.6	64.7	59.5	69.1	75.4	115/230	230	66930-20	416820-102	97
2.2	3	1160	210TY	C21G2701	④	T3C	21	86	18.49 (13.6)	56.7	62.9	65.6	54.1	63.7	69.1	115/230	230	66930-20	416820-102	97
4	5	1730	210TY	C21G2702	④	T3C	30	146	20.67 (15.2)	63.9	67.5	69	66.9	76.1	80.4	230	230	66930-18	416820-101	-

Submersible explosion proof, three phase

kW	Hp	RPM	NEMA frame	Catalog number	XP cls & group	XP temp code	Amps @ high V		Full load torque NM(lb-ft)	Efficiency %			Power factor %			Motor voltage	Connected voltage	Dim sheet	Conn. diag. number	Notes
							Full load	Locked rotor		1/2	3/4	Full load	1/2 PF	3/4 PF	Full load PF					
0.75	1	1745	180TY	P18G2784	④	T3C	1.7	13.7	4.09 (3.01)	50	58.5	63.5	77.5	83	86.4	230 / 460	230	66930-20	416820-1	97
1.12	1.5	1735	180TY	P18G2787	④	T3C	2.3	18.3	6.05 (4.45)	59.3	66.7	70.5	77.5	83.1	86.2	230 / 460	230	66930-20	416820-1	97
1.5	2	1730	180TY	P18G2791	④	T3C	2.9	22	8.24 (6.06)	64.3	70.7	73.5	74.7	82.5	86.4	230 / 460	230	66930-20	416820-1	97
1.5	2	1730	180TY	P18G2792	④	T3C	3.3	25.3	8.24 (6.06)	64.3	70.7	73.5	74.7	82.5	86.4	200 / 400	200	66930-20	416820-1	97
2.2	3	1750	180TY	P18G2794	④	T3C	4.4	31.1	12.25 (9.01)	70.5	75.9	78.1	68.7	77.2	81.7	230 / 460	230	66930-20	416820-1	97
2.2	3	1160	180TY	P18G2707	④	T3C	5.2	26	18.49 (13.6)	72	76.6	78	54.4	63.8	69.3	230 / 460	230	66930-17	416820-1	-
4	5	1725	180TY	P18G2701	④	T3C	7	40	20.67 (15.2)	77	79.9	80.2	71.9	79.9	83.9	230 / 460	230	66930-17	416820-1	-
4	5	1725	180TY	P18G2702	④	T3C	7	40	20.67 (15.2)	77	79.9	80.2	71.9	79.9	83.9	230 / 460	460	66930-17	416820-1	-
4	5	1725	180TY	P18G2739	④	T3C	8.05	46	20.67 (15.2)	77	79.9	80.2	71.9	79.9	83.9	200 / 400	200	66930-17	416820-1	-
4	5	1150	180TY	P18G2709	④	T3C	8	38	30.91 (22.8)	77.9	80.7	80.9	55.4	66	72	230 / 460	230	66930-17	416820-1	-
4	5	870	210TY	P21G2747	④	T3C	8.3	40.5	41.07 (30.2)	79.1	82.1	82.6	48.2	59.9	67.9	460	460	66930-18	416820-24	-
5.6	7.5	1730	180TY	P18G2703	④	T3C	10.1	62.5	30.87 (22.7)	80.7	82.9	82.7	72.1	80.1	83.9	230 / 460	230	66930-17	416820-1	-
5.6	7.5	1730	180TY	P18G2704	④	T3C	10.1	62.5	30.87 (22.7)	80.7	82.9	82.7	72.1	80.1	83.9	230 / 460	460	66930-17	416820-1	-
5.6	7.5	1150	210TY	P21G2705	④	T3C	11.3	59	46.51 (34.2)	79.2	81.7	81.7	59.6	70.2	75.7	230 / 460	230	66930-18	416820-1	-
7.5	10	1755	210TY	P21G2701	④	T3C	13	76	40.66 (29.9)	83	85.3	85.6	72.8	80.6	84.1	230 / 460	230	66930-18	416820-1	-
7.5	10	1755	210TY	P21G2702	④	T3C	13	76	40.66 (29.9)	83	85.3	85.6	72.8	80.6	84.1	230 / 460	460	66930-18	416820-1	-
7.5	10	1145	210TY	P21G2707	④	T3C	14.4	79	62.28 (45.8)	83.8	84.8	83.8	63	73.1	77.7	230 / 460	230	66930-18	416820-1	-
11	15	1745	210TY	P21G2703	④	T3C	20.1	114	61.33 (45.1)	83.3	85.4	85.4	69.2	77.9	82	230 / 460	230	66930-18	416820-2	-
11	15	1745	210TY	P21G2704	④	T3C	20.1	114	61.33 (45.1)	83.3	85.4	85.4	69.2	77.9	82	230 / 460	460	66930-18	416820-2	-
11	15	1160	250TY	P25G2707	④	T3C	20.3	110	92.20 (67.8)	86	87.2	86.5	68	76.7	80	230 / 460	460	66930-18	416820-1	-
15	20	1740	210TY	P21G2737	④	T3C	26.2	141	82.14 (60.4)	86.1	87.2	86.6	69.7	78.6	82.7	230 / 460	460	66930-20	416820-2	97
15	20	1740	210TY	P21G2758	④	T3C	26.2	141	82.14 (60.4)	86.1	87.2	86.6	69.7	78.6	82.7	230 / 460	460	66930-18	416820-2	-
15	20	1160	250TY	P25G2710	④	T3C	27.4	144	123.08 (90.5)	86.7	87.6	86.7	66.6	75.4	78.8	230 / 460	460	66930-18	416820-2	-
18.7	25	1760	250TY	P25G2702	④	T3C	32.1	175	101.45 (74.6)	87.2	88.7	88.5	71.3	79.3	82.5	230 / 460	460	66930-18	416820-1	-
18.7	25	1760	250TY	P25G2747	④	T3C	32.1	175	101.45 (74.6)	87.2	88.7	88.5	71.3	79.3	82.5	230 / 460	460	66930-28	416820-1	97
18.7	25	1160	250TY	P25G2712	④	T3C	35.2	182	153.68 (113)	86.3	87.4	86.7	59.9	71	76.6	230 / 460	460	66930-18	416820-2	-
22.4	30	1750	250TY	P25G2704	④	T3C	39.9	208	122.26 (89.9)	87.5	88.9	88.7	64.5	74.5	79.4	230 / 460	460	66930-18	416820-1	-
22.4	30	1175	320TY	P32G2700	④	T3C	40.7	213	182.24 (134)	88.2	89.7	89.7	60.7	71.3	76.8	460	460	66930-18	416820-25	-
29	40	1740	250TY	P25G2706	④	T3C	51.7	257	164.56 (121)	89.2	89.8	89	70.4	78.5	81.4	460	460	66930-18	416820-25	-
37	50	1770	320TY	P32G2701	④	T3C	64.3	362	201.28 (148)	89.3	90.9	91.1	67.9	76.2	79.8	460	460	66930-18	416820-25	-
37	50	1770	320TY	P32G2724	④	T3C	64.3	362	201.28 (148)	89.3	90.9	91.1	67.9	76.2	79.8	460	460	66930-28	416820-25	-
37	50	1175	320TY	P32G2702	④	T3C	65.9	348	304.64 (224)	90.1	90.9	90.5	62.5	73.2	78.5	460	460	66930-18	416820-25	-
44	60	1770	320TY	P32G2706	④	T3C	74.9	415	242.08 (178)	91.3	92.2	92	69.1	77.8	81.4	460	460	66930-18	416820-25	-
56	75	1765	320TY	P32G2703	④	T3C	91.3	514	303.28 (223)	92.3	92.9	92.6	72.8	80.2	83	460	460	66930-18	416820-25	-
56	75	1170	360TY	P36G2700	④	T3C	90.9	508	459.68 (338)	93.6	93.3	92.3	73.7	81.2	83.8	460	460	66930-60	416820-25	-
75	100	1770	360TY	P36G2701	④	T3C	116	703	402.56 (296)	90.4	91.6	91.6	76	83.4	86.2	460	460	66930-60	416820-25	-
75	100	1165	360TY	P36G2702	④	T3C	122	703	613.36 (451)	91.7	92	91.2	76	82.4	84.2	460	460	66930-60	416820-25	-

④ Class I, Group C & D

97 One size smaller flange and shaft

NEMA explosion proof AC and DC motors

Motor performance data and dimensions

Adjustable speed AC three phase, Inverter Drive[®] explosion proof motors

These TEFC motors are designed for use with inverters in hazardous locations. Ratings are available for a 10:1 constant or variable torque speed rating. They may be used with inverters manufactured by any company. 0.37 - 1.5 kW (1/2 - 2 hp) motors meet Division 1, Class I – Group D and Class II – Group F and G, with temperature rating T3C (160 degrees). The 2.2 - 56 kW (3 - 75 hp) motors meet Division 1, Class I – Group D only, with temperature code T2A (280 degrees). NEMA frames 56C through 405T. ISR[®] Inverter Spike Resistant wire is standard. All motors are rated at a 1.0 service factor, and have Class F insulation to meet NEMA MG 1-2011, Part 31. All ratings constant horsepower 60 to 90 Hz.



Mechanical design characteristics

Specification	Description	Frames			
		56C	143TC-215TC	254TC-365TC	405T
Bearing retention	Locked bearings for universal mounting	•	•	•	•
Bearings	Premium grade, double shielded	•	•		
	Premium grade, open with Lube Lock [®]			•	•
Conduit box and lid	U. L. approved cast iron explosion proof	•	•	•	•
Drive end	C-Face for mounting flexibility on NEMA TC frames	•	•		•
Endplates	Aluminum with steel bearing journal	•	thru 145TC		
	Cast iron - rugged and durable		from 182TC	•	•
Explosion proof	Class I, Group D, Class II, Group F & G. Temp. Rating 160°C	•	thru 145TC		
Classifications	Class I, Group D only. Temperature Rating 280°C		from 182TC	•	•
Frame	Steel band	•	thru 145TC		
	Cast iron		from 182TC	•	•
Foot mounting	Rigid base, dual hole foot pattern for mounting flexibility	•	•	•	•
Ground screw	Inside terminal box for convenience	•	•	•	•
Lifting provisions	Eyebolt		•	•	•
Lubricant	Exxon POLYREX [®] EM or equivalent	•	•	•	•
Nameplate	UL/CSA listed nameplate. Includes base volts and frequency, connection diagram	•	•	•	•
Rotor Construction	Special high pressure aluminum die cast with low loss electrical steel and special slot configuration	•	•	•	•
Shaft material	C1035 steel	•	•		
	C1137 steel			•	•

Electrical design characteristics

Specification	Description	Frames			
		56C	143TC-215TC	254TC-365TC	405T
Insulation	Class F meets NEMA MG 1-2011, Part 31	•	•	•	•
Magnet wire	200°C moisture resistant,	•	•	•	•
Service factor	1.00	•	•	•	•
Voltage	230 / 460V @ 60 hertz	•	•	•	•

NEMA explosion proof AC and DC motors

Motor performance data and dimensions

AC Inverter Drive[®] explosion proof fan-cooled motors

UL and CSA approved for use in hazardous locations. 0.37 - 1.5 kW (1/2 - 2 hp) Class I, Group D, Class II, Group F & G. Temperature rating T3C (160°C). 2.2 kW (3 hp) and larger Division 1, Class I, Group D only. Temperature code T2B (260°C). 1.0 service factor. Class F insulation. All ratings constant kW (horsepower) 60 to 90 Hz.

Performance data 230/460 volt ratings

10:1 Variable torque and 2:1 constant torque ratings

kW	Hp	Base spd	Max. RPM	Max. frame	NEMA encl.	Catalog number	XP cls & group	XP temp code	460 volt line amps		Output torque lb-ft.			% Effic. line	Wk ² Pa (lb-ft ²)	Ap'x wgt. kg (lb)	"C" dim. mm (in)	Conn. diag. no.
									Idle	F.L.	F.L.	L.R.	B.D.					
2.2	3	1760	2700	182TC*	TEFC	IDXM7142T	①	T2B	2.2	4.0	9.0	22.0	31.0	89.5	12.44 (0.26)	66.67 (147)	463.29 (18.24)	CD0005
4	5	1760	2700	184TC*	TEFC	IDXM7144T	①	T2B	3.4	6.5	15.0	32.0	50.0	89.5	19.15 (0.4)	75.74 (161)	463.29 (18.24)	CD0005
5.6	7.5	1760	2700	213TC*	TEFC	IDXM7147T	①	T2B	4.9	9.7	22.4	42.9	69.9	90.2	40.69 (0.85)	103.41 (228)	525.52 (20.69)	CD0005
7.5	10	1760	2700	215TC*	TEFC	IDXM7170T	①	T2B	5.5	12.5	30.0	56.0	121	91.7	54.58 (1.14)	88.90 (196)	525.52 (20.69)	CD0005
11	15	1765	2700	254TC*	TEFC	IDXM7054T	①	T2B	6.95	18.0	45.0	88.0	143	92.4	88.09 (1.84)	161.47 (356)	660.40 (26)	CD0005
15	20	1765	2700	256TC*	TEFC	IDXM7056T	①	T2B	8.5	24.0	60.0	120	183	93.0	108.68 (2.27)	178.26 (393)	660.40 (26)	CD0180
18.7	25	1780	2700	284T*	TEFC	IDXM7058T	①	T2B	11.9	30.5	74.0	137	226	93.6	190.56 (3.98)	224.07 (494)	726.69 (28.61)	CD0005
22.4	30	1780	2700	286T*	TEFC	IDXM7060T	①	T2B	14.5	36.0	90.0	143	256	94.1	213.54 (4.46)	251.74 (555)	726.69 (28.61)	CD0005
29	40	1780	2700	324T*	TEFC	IDXM7062T	①	T2B	16.01	47.0	118	207	385	94.1	359.10 (7.5)	354.70 (782)	815.84 (32.12)	CD0180
37	50	1780	2700	326T*	TEFC	IDXM7064T	①	T2B	19.13	57.0	148	290	451	94.5	461.56 (9.64)	350.17 (772)	815.84 (32.12)	CD0180
44	60	1780	2700	364T*	TEFC	IDXM7066T	①	T2B	23.5	69.0	177	278	556	95.0	560.19 (11.7)	456.31 (1006)	844.55 (33.25)	CD0180
56	75	1780	2700	405T*	TEFC	IDXM7068T	①	T2B	23.6	85.0	225	388	515	94.1	1072.51 (22.4)	620.96 (1369)	984.25 (38.75)	CD0005

10:1 Variable torque and constant torque ratings

kW	Hp	Base spd	Max. RPM	Max. frame	NEMA encl.	Catalog number	XP cls & group	XP temp code	460 volt line amps		Output torque lb-ft.			% Effic. line	Wk ² Pa (lb-ft ²)	Ap'x wgt. kg (lb)	"C" dim. mm (in)	Conn. diag. no.
									Idle	F.L.	F.L.	L.R.	B.D.					
0.37	0.50	1750	2700	56C	TEFC	IDXM7006	②	T3C	0.5	0.8	1.5	5.6	6.7	82.5	4.30 (0.09)	19.05 (42)	363.22 (14.3)	CD0005
0.56	0.75	1750	2700	56C	TEFC	IDXM7010	②	T3C	0.61	1.1	2.25	8.4	8.8	82.5	5.74 (0.12)	20.86 (46)	363.22 (14.3)	CD0005
0.75	1	1750	2700	143TC	TEFC	IDXM7014T	②	T3C	0.81	1.4	3.0	10.0	14.5	85.5	6.79 (0.142)	22.67 (50)	386.84 (15.23)	CD0005
1.12	1.5	1750	2700	145TC	TEFC	IDXM7034T	②	T3C	1.13	2.1	4.5	19.0	23	88.5	7.94 (0.166)	24.04 (53)	386.84 (15.23)	CD0005
1.5	2	1750	2700	145TC	TEFC	IDXM7037T	②	T3C	1.3	2.6	6.0	25.3	27.4	88.5	11.34 (0.237)	31.75 (70)	443.99 (17.48)	CD0005
2.2	3	1760	2700	182TC*	TEFC	IDXM7542T	②	T3C	2.2	4.0	9.0	22.0	31.0	89.5	12.44 (0.26)	65.31 (144)	463.29 (18.24)	CD0005
4	5	1760	2700	213TC*	TEFC	IDXM7544T	①	T2B	2.6	6.3	15.0	29.4	41.2	90.2	29.11 (0.608)	96.16 (212)	524.51 (20.65)	CD0005
5.6	7.5	1760	2700	215TC*	TEFC	IDXM7547T	①	T2B	4.9	9.7	22.4	42.9	69.9	90.2	40.21 (0.84)	102.05 (225)	524.51 (20.65)	CD0005
7.5	10	1760	2700	254TC*	TEFC	IDXM7570T	①	T2B	5.4	12.8	29.7	75.0	110	92.4	100.06 (2.09)	171.45 (378)	660.40 (26)	CD0005
11	15	1765	2700	256TC*	TEFC	IDXM7554T	①	T2B	7.0	17.0	45.0	93.0	151	92.4	100.54 (2.1)	172.81 (381)	660.40 (26)	CD0005
15	20	1765	2700	284T*	TEFC	IDXM7556T	①	T2B	8.6	24.5	59.0	96.0	167	90.2	167.58 (3.5)	234.05 (516)	726.69 (28.61)	CD0005
18.7	25	1780	2700	324T*	TEFC	IDXM7558T	①	T2B	10.6	30.0	74.0	114	226	91.7	294.94 (6.16)	319.78 (705)	815.84 (32.12)	CD0180
22.4	30	1780	2700	326T*	TEFC	IDXM7560T	①	T2B	13.3	35.0	89.0	147	276	94.5	359.10 (7.5)	331.57 (731)	815.84 (32.12)	CD0180
29	40	1780	2700	364T*	TEFC	IDXM7562T	①	T2B	12.2	48.0	118	218	297	92.4	560.19 (11.7)	414.12 (913)	844.55 (33.25)	CD0005
37	50	1780	2700	365T*	TEFC	IDXM7564T	①	T2B	12.2	57.0	147	266	343	92.4	560.19 (11.7)	440.43 (971)	844.55 (33.25)	CD0180
44	60	1780	2700	405T*	TEFC	IDXM7566T	①	T2B	17.8	69.0	177	332	425	93.6	1072.51 (22.4)	608.26 (1341)	984.25 (38.75)	CD0005

* Cast Iron Frame

① Class I, Group D

② Class I, Group D, Class II, Group F & G

NEMA explosion proof AC and DC motors

Motor performance data and dimensions

Explosion proof SCR drive permanent magnet and shunt wound DC motors

When it comes to explosion proof SCR drive DC motors, Baldor•Reliance® offers two choices. Permanent magnet motors are available from stock in 0.18 - 1.12kW (1/4 - 1-1/2 hp), in NEMA frames 56C and 145TC. Shunt wound motors are available from stock in 0.37- 2.2 kW (1/2 - 3 hp), in NEMA frames 182CZ to 215CY. Both types are UL and CSA approved for Division 1, Class I – Group D and Class II – Groups F and G, with a 1.0 service factor. Most models include a thermostat on the field winding.



SCR drive permanent magnet DC motors

kW	Hp	Base speed	NEMA frame	Catalog number	XP cls & group	XP temp code	Voltage direct current		Full load amperage		Ap'x wgt. kg (lb)	Conn. diag. no.
							Arm.	Fld.	Arm.	Fld.		
0.18	0.25	1750	56C	CDPX3410	Ⓜ	T3C	90	PM	2.7	PM	17.23 (38)	CD0194
0.18	0.25	1750	56C	CDPX3406	Ⓜ	T3C	180	PM	1.3	PM	17.23 (38)	CD0194
0.25	0.33	1750	56C	CDPX3420	Ⓜ	T3C	90	PM	3.6	PM	19.05 (42)	CD0194
0.25	0.33	1750	56C	CDPX3416	Ⓜ	T3C	180	PM	1.7	PM	19.95 (44)	CD0194
0.37	0.50	1750	56C	CDPX3430	Ⓜ	T3C	90	PM	5.2	PM	20.86 (46)	CD0194
0.37	0.50	1750	56C	CDPX3426	Ⓜ	T3C	180	PM	2.5	PM	20.86 (46)	CD0194
0.56	0.75	1750	56C	CDPX3440	Ⓜ	T3C	90	PM	7.0	PM	23.13 (51)	CD0194
0.56	0.75	1750	56C	CDPX3436	Ⓜ	T3C	180	PM	3.5	PM	23.13 (51)	CD0194
0.75	1	1750	56C	CDPX3545	Ⓜ	T3C	90	PM	9.6	PM	32.65 (72)	CD0194
0.75	1	1750	56C	CDPX3555	Ⓜ	T3C	180	PM	4.9	PM	32.20 (71)	CD0194
1.12	1.5	1750	145TC	CDPX3575	Ⓜ	T3C	180	PM	7.1	PM	36.74 (81)	CD0194

SCR drive shunt wound DC motors

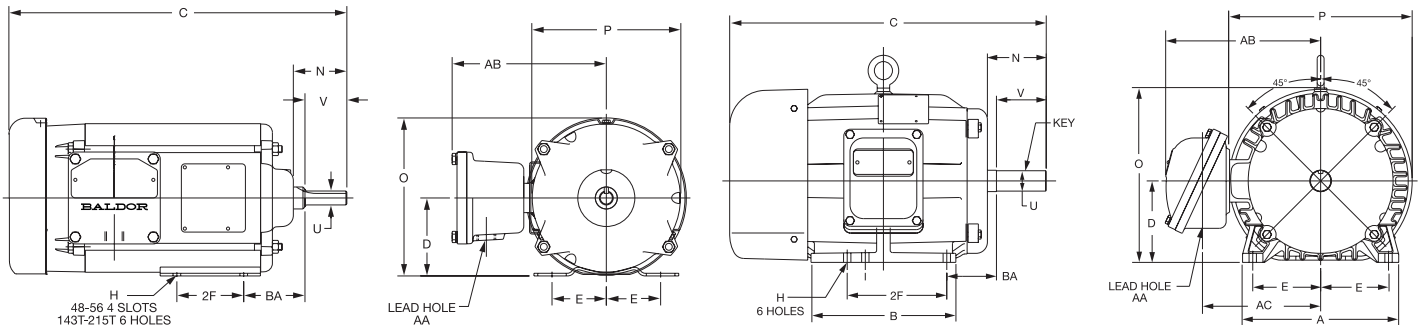
kW	Hp	Base speed	NEMA frame	Catalog number	XP cls & group	XP temp code	Voltage direct current		Full load amperage		Ap'x wgt. kg (lb)	Conn. diag. no.
							Arm.	Fld.	Arm.	Fld.		
0.37	0.50	1750	182CZ	CDX1850	Ⓜ	T3B	90	100/50	4.9	0.55	46.72 (103)	CD0860
0.56	0.75	1750	182CZ	CDX1875	Ⓜ	T3B	90	100/50	7.0	0.55	45.35 (100)	CD0860
0.75	1	1750	182CZ	CDX2001	Ⓜ	T3B	180	200/100	5.0	0.25	47.62 (105)	CD0860
0.75	1	1750	182C	CDX7100	Ⓜ	T3B	180	200/100	5.0	0.25	46.72 (103)	CD0860
1.12	1.5	1750	184C	CDX7150	Ⓜ	T3B	180	200/100	7.5	0.25	54.88 (121)	CD0860
1.5	2	1750	184C	CDX7200	Ⓜ	T3B	180	200/100	9.5	0.40	61.23 (135)	CD0860

Ⓜ Class I, Group D, Class II, Group F & G

NEMA explosion proof AC and DC motors

Motor dimensions

Horizontal base mount explosion proof motors



Single phase, rolled steel construction

NEMA frame	A	B	D	E	2F	H	N	O	P	U	V	AA	AB	AC	BA
48	146.05 (5.75)	101.60 (4)	76.20 (3)	53.85 (2.12)	69.85 (2.75)	8.64 (0.34)	41.15 (1.62)	154.94 (6.1)	146.05 (5.75)	12.70 (0.5)	38.10 (1.5)	12.70 (0.5)	166.12 (6.54)	127.00 (5)	63.50 (2.5)
(400Type)	166.62 (6.56)	107.95 (4.25)	88.90 (3.5)	61.98 (2.44)	76.20 (3)	8.64 (0.34)	50.80 (2)	167.64 (6.6)	146.81 (5.78)	15.75 (0.62)	47.75 (1.88)	165.10 (6.5)	125.98 (4.96)	136.65 (5.38)	69.85 (2.75)
56	166.62 (6.56)	114.30 (4.5)	88.90 (3.5)	61.98 (2.44)	76.20 (3)	8.64 (0.34)	60.96 (2.4)	180.09 (7.09)	169.93 (6.69)	15.75 (0.62)	47.75 (1.88)	12.70 (0.5)	175.77 (6.92)	136.65 (5.38)	69.85 (2.75)
143T	165.10 (6.5)	150.88 (5.94)	88.90 (3.5)	69.85 (2.75)	101.60 (4)	8.64 (0.34)	62.48 (2.46)	180.09 (7.09)	169.93 (6.69)	22.10 (0.87)	57.15 (2.25)	19.05 (0.75)	175.77 (6.92)	136.65 (5.38)	57.15 (2.25)
145T	165.10 (6.5)	150.88 (5.94)	88.90 (3.5)	69.85 (2.75)	127.00 (5)	8.64 (0.34)	62.48 (2.46)	180.09 (7.09)	169.93 (6.69)	22.10 (0.87)	57.15 (2.25)	19.05 (0.75)	175.77 (6.92)	136.65 (5.38)	57.15 (2.25)
(500Type)	219.20 (8.63)	165.10 (6.5)	114.30 (4.5)	95.25 (3.75)	114.30 (4.5)	10.41 (0.41)	62.48 (2.46)	205.49 (8.09)	169.93 (6.69)	22.10 (0.87)	57.15 (2.25)	12.70 (0.5)	175.77 (6.92)	136.65 (5.38)	69.85 (2.75)
182-4	219.20 (8.63)	165.10 (6.5)	114.30 (4.5)	95.25 (3.75)	139.70 (5.5)	10.41 (0.41)	65.02 (2.56)	214.38 (8.44)	200.15 (7.88)	22.10 (0.87)	57.15 (2.25)	19.05 (0.75)	191.01 (7.52)	151.89 (5.98)	69.85 (2.75)
182T	219.20 (8.63)	165.10 (6.5)	114.30 (4.5)	95.25 (3.75)	114.30 (4.5)	10.41 (0.41)	77.72 (3.06)	214.38 (8.44)	200.15 (7.88)	28.45 (1.12)	69.85 (2.75)	19.05 (0.75)	191.01 (7.52)	151.89 (5.98)	69.85 (2.75)
184T	219.20 (8.63)	165.10 (6.5)	114.30 (4.5)	95.25 (3.75)	139.70 (5.5)	10.41 (0.41)	77.72 (3.06)	214.38 (8.44)	200.15 (7.88)	28.45 (1.12)	69.85 (2.75)	19.05 (0.75)	191.01 (7.52)	151.89 (5.98)	69.85 (2.75)
213	241.30 (9.5)	203.20 (8)	133.35 (5.25)	107.95 (4.25)	139.70 (5.5)	10.41 (0.41)	87.38 (3.44)	268.22 (10.56)	246.13 (9.69)(L)	28.45 (1.12)	76.20 (3)	19.05 (0.75)	212.60 (8.37)	173.48 (6.83)	88.90 (3.5)
215	241.30 (9.5)	203.20 (8)	133.35 (5.25)	107.95 (4.25)	177.80 (7)	10.41 (0.41)	87.38 (3.44)	268.22 (10.56)	242.82 (9.56)(M)	28.45 (1.12)	76.20 (3)	19.05 (0.75)	212.60 (8.37)	173.48 (6.83)	88.90 (3.5)
213T	241.30 (9.5)	203.20 (8)	133.35 (5.25)	107.95 (4.25)	139.70 (5.5)	10.41 (0.41)	97.03 (3.82)	254.76 (10.03)	242.82 (9.56)	34.93 (1.375)	85.85 (3.38)	19.05 (0.75)	212.60 (8.37)	173.48 (6.83)	88.90 (3.5)
215T	241.30 (9.5)	203.20 (8)	133.35 (5.25)	107.95 (4.25)	177.80 (7)	10.41 (0.41)	97.03 (3.82)	254.76 (10.03)	242.82 (9.56)	34.93 (1.375)	85.85 (3.38)	19.05 (0.75)	212.60 (8.37)	173.48 (6.83)	88.90 (3.5)

Note: Dimensions are in mm (in).

NEMA explosion proof AC and DC motors

Motor dimensions

Horizontal base mount explosion proof motors (continued)

Three phase, cast iron construction

NEMA frame	A	B	D	E	2F	H	N	O	P	U	V	AA	AB	AC	BA
182T	218.95 (8.62)	203.20 (8)	114.30 (4.5)	95.25 (3.75)	114.30 (4.5)	10.41 (0.41)	82.55 (3.25)	286.26 (11.27)	256.03 (10.08)	28.45 (1.12)	69.85 (2.75)	19.05 (0.75)	217.42 (8.56)	165.86 (6.53)	69.85 (2.75)
184T	218.95 (8.62)	203.20 (8)	114.30 (4.5)	95.25 (3.75)	139.70 (5.5)	10.41 (0.41)	82.55 (3.25)	286.26 (11.27)	256.03 (10.08)	28.45 (1.12)	69.85 (2.75)	19.05 (0.75)	217.42 (8.56)	165.86 (6.53)	69.85 (2.75)
213T	247.65 (9.75)	203.20 (8)	133.35 (5.25)	107.95 (4.25)	139.70 (5.5)	10.41 (0.41)	88.14 (3.47)	273.05 (10.75)	279.40 (11)	34.80 (1.37)	85.85 (3.38)	19.05 (0.75)	245.36 (9.66)	193.55 (7.62)	88.90 (3.5)
215T	247.65 (9.75)	203.20 (8)	133.35 (5.25)	107.95 (4.25)	177.80 (7)	10.41 (0.41)	88.14 (3.47)	273.05 (10.75)	279.40 (11)	34.80 (1.37)	85.85 (3.38)	19.05 (0.75)	245.36 (9.66)	193.55 (7.62)	88.90 (3.5)
254T	292.10 (11.5)	292.10 (11.5)	158.75 (6.25)	127.00 (5)	209.55 (8.25)	13.46 (0.53)	106.68 (4.2)	328.68 (12.94)	341.38 (13.44)	41.15 (1.62)	101.60 (4)	31.75 (1.25)	314.20 (12.37)	234.70 (9.24)	107.95 (4.25)
256T	292.10 (11.5)	292.10 (11.5)	158.75 (6.25)	127.00 (5)	254.00 (10)	13.46 (0.53)	106.68 (4.2)	328.68 (12.94)	341.38 (13.44)	41.15 (1.62)	101.60 (4)	31.75 (1.25)	314.20 (12.37)	234.70 (9.24)	107.95 (4.25)
284TS	324.10 (12.76)	323.85 (12.75)	177.80 (7)	139.70 (5.5)	241.30 (9.5)	13.46 (0.53)	88.90 (3.5)	374.65 (14.75)	394.72 (15.54)	41.15 (1.62)	82.55 (3.25)	31.75 (1.25)	419.35 (16.51)	293.88 (11.57)	120.65 (4.75)
286TS	324.10 (12.76)	323.85 (12.75)	177.80 (7)	139.70 (5.5)	279.40 (11)	13.46 (0.53)	88.90 (3.5)	374.65 (14.75)	394.72 (15.54)	41.15 (1.62)	82.55 (3.25)	31.75 (1.25)	419.35 (16.51)	293.88 (11.57)	120.65 (4.75)
284T	324.10 (12.76)	323.85 (12.75)	177.80 (7)	139.70 (5.5)	241.30 (9.5)	13.46 (0.53)	123.95 (4.88)	374.65 (14.75)	394.72 (15.54)	47.50 (1.87)	117.60 (4.63)	38.10 (1.5)	419.35 (16.51)	293.88 (11.57)	120.65 (4.75)
286T	324.10 (12.76)	323.85 (12.75)	177.80 (7)	139.70 (5.5)	279.40 (11)	13.46 (0.53)	123.95 (4.88)	374.65 (14.75)	394.72 (15.54)	47.50 (1.87)	117.60 (4.63)	38.10 (1.5)	419.35 (16.51)	293.88 (11.57)	120.65 (4.75)
324TS	368.30 (14.5)	355.60 (14)	203.20 (8)	158.75 (6.25)	266.70 (10.5)	16.76 (0.66)	100.08 (3.94)	423.67 (16.68)	441.96 (17.4)	47.50 (1.87)	95.25 (3.75)	50.80 (2)	441.96 (17.4)	316.99 (12.48)	133.35 (5.25)
326TS	368.30 (14.5)	355.60 (14)	203.20 (8)	158.75 (6.25)	304.80 (12)	16.76 (0.66)	100.08 (3.94)	423.67 (16.68)	441.96 (17.4)	47.50 (1.87)	95.25 (3.75)	50.80 (2)	441.96 (17.4)	316.99 (12.48)	133.35 (5.25)
324T	368.30 (14.5)	355.60 (14)	203.20 (8)	158.75 (6.25)	266.70 (10.5)	16.76 (0.66)	138.18 (5.44)	423.67 (16.68)	441.96 (17.4)	53.85 (2.12)	133.35 (5.25)	50.80 (2)	441.96 (17.4)	316.99 (12.48)	133.35 (5.25)
326T	368.30 (14.5)	355.60 (14)	203.20 (8)	158.75 (6.25)	304.80 (12)	16.76 (0.66)	138.18 (5.44)	423.67 (16.68)	441.96 (17.4)	53.85 (2.12)	133.35 (5.25)	50.80 (2)	441.96 (17.4)	316.99 (12.48)	133.35 (5.25)
364T	431.80 (17)	342.90 (13.5)	228.60 (9)	177.80 (7)	285.75 (11.25)	16.76 (0.66)	155.70 (6.13)	469.90 (18.5)	479.55 (18.88)	60.20 (2.37)	149.35 (5.88)	63.50 (2.5)	442.98 (17.44)	323.85 (12.75)	149.35 (5.88)
365T	431.80 (17)	368.30 (14.5)	228.60 (9)	177.80 (7)	311.15 (12.25)	16.76 (0.66)	155.70 (6.13)	469.90 (18.5)	479.55 (18.88)	60.20 (2.37)	149.35 (5.88)	63.50 (2.5)	440.69 (17.35)	323.85 (12.75)	149.35 (5.88)
404T	495.30 (19.5)	387.35 (15.25)	254.00 (10)	203.20 (8)	323.85 (12.75)	20.57 (0.81)	192.02 (7.56)	533.40 (21)	530.35 (20.88)	72.90 (2.87)	184.15 (7.25)	63.50 (2.5)	468.38 (18.44)	349.25 (13.75)	168.15 (6.62)
405T	495.30 (19.5)	425.45 (16.75)	254.00 (10)	203.20 (8)	349.25 (13.75)	20.57 (0.81)	192.02 (7.56)	533.40 (21)	530.35 (20.88)	72.90 (2.87)	184.15 (7.25)	63.50 (2.5)	468.38 (18.44)	349.25 (13.75)	168.15 (6.62)
444T	552.45 (21.75)	514.35 (20.25)	279.40 (11)	228.60 (9)	368.30 (14.5)	20.57 (0.81)	222.25 (8.75)	582.68 (22.94)	630.17 (24.81)	85.60 (3.37)	215.90 (8.5)	76.20 (3)	600.20 (23.63)	465.07 (18.31)	190.50 (7.5)
445T	552.45 (21.75)	514.35 (20.25)	279.40 (11)	228.60 (9)	419.10 (16.5)	20.57 (0.81)	222.25 (8.75)	582.68 (22.94)	630.17 (24.81)	85.60 (3.37)	215.90 (8.5)	76.20 (3)	600.20 (23.63)	465.07 (18.31)	190.50 (7.5)
447T	552.45 (21.75)	730.25 (28.75)	279.40 (11)	228.60 (9)	508.00 (20)	20.57 (0.81)	215.90 (8.5)	582.68 (22.94)	630.17 (24.81)	85.60 (3.37)	215.90 (8.5)	76.20 (3)	702.82 (27.67)	472.95 (18.62)	190.50 (7.5)
449T	552.45 (21.75)	730.25 (28.75)	279.40 (11)	228.60 (9)	635.00 (25)	20.57 (0.81)	215.90 (8.5)	582.68 (22.94)	630.17 (24.81)	85.60 (3.37)	215.90 (8.5)	76.20 (3)	702.82 (27.67)	472.95 (18.62)	190.50 (7.5)

Note: Dimensions are in mm (in).

Drawings shown are for reference only.

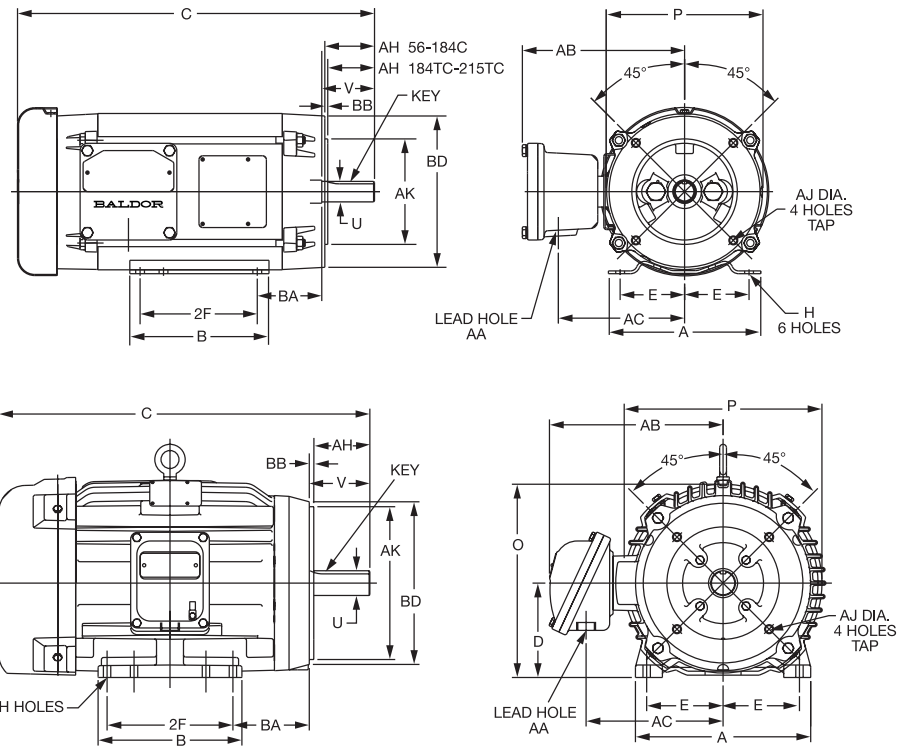
Please contact your regional support office for a detailed dimensional drawing of the specific motor you require.

Drawings may also be available from our website at www.baldor.com

NEMA explosion proof AC and DC motors

Motor dimensions

C-face explosion proof motors



Rolled steel construction

NEMA frame	A	B	D	E	2F	H	O	P	U	V	AA	AB	AC	AH	AJ	AK	BA	BB	BD	Tap *
400(Type)	166.62 (6.56)	107.95 (4.25)	88.90 (3.5)	61.98 (2.44)	76.20 (3)	8.64 (0.34)	167.64 (6.6)	146.81 (5.78)	15.75 (0.62)	47.75 (1.88)	12.70 (0.5)	165.10 (6.5)	125.98 (4.96)	52.32 (2.06)	149.35 (5.88)	114.30 (4.5)	69.85 (2.75)	3.05 (0.12)	149.86 (5.9)	3/8-16
56C	165.10 (6.5)	114.30 (4.5)	88.90 (3.5)	61.98 (2.44)	76.20 (3)	8.64 (0.34)	180.09 (7.09)	169.93 (6.69)	15.75 (0.62)	47.75 (1.88)	12.70 (0.5)	175.77 (6.92)	136.65 (5.38)	52.32 (2.06)	149.35 (5.88)	114.30 (4.5)	69.85 (2.75)	3.05 (0.12)	164.08 (6.46)	3/8-16
143TC	165.10 (6.5)	150.88 (5.94)	88.90 (3.5)	69.85 (2.75)	101.60 (4)	8.64 (0.34)	180.09 (7.09)	169.93 (6.69)	22.10 (0.87)	57.15 (2.25)	19.05 (0.75)	175.77 (6.92)	136.65 (5.38)	53.85 (2.12)	149.35 (5.88)	114.30 (4.5)	69.85 (2.75)	3.30 (0.13)	164.08 (6.46)	3/8-16
145TC	165.10 (6.5)	150.88 (5.94)	88.90 (3.5)	69.85 (2.75)	127.00 (5)	8.64 (0.34)	180.09 (7.09)	169.93 (6.69)	22.10 (0.87)	57.15 (2.25)	19.05 (0.75)	175.77 (6.92)	136.65 (5.38)	53.85 (2.12)	149.35 (5.88)	114.30 (4.5)	69.85 (2.75)	3.30 (0.13)	164.08 (6.46)	3/8-16
182C	219.20 (8.63)	165.10 (6.5)	114.30 (4.5)	95.25 (3.75)	114.30 (4.5)	10.41 (0.41)	214.38 (8.44)	203.20 (8)	22.10 (0.87)	57.15 (2.25)	19.05 (0.75)	191.01 (7.52)	151.89 (5.98)	53.85 (2.12)	149.35 (5.88)	114.30 (4.5)	69.85 (2.75)	3.30 (0.13)	162.05 (6.38)	3/8-16
184C	219.20 (8.63)	165.10 (6.5)	114.30 (4.5)	95.25 (3.75)	139.70 (5.5)	10.41 (0.41)	214.38 (8.44)	203.20 (8)	22.10 (0.87)	57.15 (2.25)	19.05 (0.75)	191.01 (7.52)	151.89 (5.98)	53.85 (2.12)	149.35 (5.88)	114.30 (4.5)	69.85 (2.75)	3.30 (0.13)	162.05 (6.38)	3/8-16
182TC	219.20 (8.63)	165.10 (6.5)	114.30 (4.5)	95.25 (3.75)	114.30 (4.5)	10.41 (0.41)	228.60 (9)	203.96 (8.03)	28.45 (1.12)	69.85 (2.75)	19.05 (0.75)	191.01 (7.52)	151.89 (5.98)	66.55 (2.62)	184.15 (7.25)	215.90 (8.5)	69.85 (2.75)	6.35 (0.25)	228.09 (8.98)	1/2-13
184TC	219.20 (8.63)	165.10 (6.5)	114.30 (4.5)	95.25 (3.75)	139.70 (5.5)	10.41 (0.41)	228.60 (9)	203.96 (8.03)	28.45 (1.12)	69.85 (2.75)	19.05 (0.75)	191.01 (7.52)	151.89 (5.98)	66.55 (2.62)	184.15 (7.25)	215.90 (8.5)	69.85 (2.75)	6.35 (0.25)	228.09 (8.98)	1/2-13
213C	241.30 (9.5)	203.20 (8)	133.35 (5.25)	107.95 (4.25)	139.70 (5.5)	10.41 (0.41)	256.54 (10.1)	246.13 (9.69)	28.45 (1.12)	76.20 (3)	19.05 (0.75)	212.60 (8.37)	173.48 (6.83)	69.85 (2.75)	184.15 (7.25)	215.90 (8.5)	88.90 (3.5)	6.35 (0.25)	228.60 (9)	1/2-13
215C	241.30 (9.5)	203.20 (8)	133.35 (5.25)	107.95 (4.25)	177.80 (7)	10.41 (0.41)	256.54 (10.1)	246.13 (9.69)	28.45 (1.12)	76.20 (3)	19.05 (0.75)	212.60 (8.37)	173.48 (6.83)	69.85 (2.75)	184.15 (7.25)	215.90 (8.5)	88.90 (3.5)	6.35 (0.25)	228.60 (9)	1/2-13
213TC	241.30 (9.5)	203.20 (8)	133.35 (5.25)	107.95 (4.25)	139.70 (5.5)	10.41 (0.41)	254.76 (10.03)	246.13 (9.69)	34.80 (1.37)	85.60 (3.37)	19.05 (0.75)	212.60 (8.37)	173.48 (6.83)	79.25 (3.12)	184.15 (7.25)	215.90 (8.5)	107.95 (4.25)	6.35 (0.25)	229.62 (9.04)	1/2-13
215TC	241.30 (9.5)	203.20 (8)	133.35 (5.25)	107.95 (4.25)	177.80 (7)	10.41 (0.41)	254.76 (10.03)	246.13 (9.69)	34.80 (1.37)	85.60 (3.37)	19.05 (0.75)	212.60 (8.37)	173.48 (6.83)	79.25 (3.12)	184.15 (7.25)	215.90 (8.5)	107.95 (4.25)	6.35 (0.25)	229.62 (9.04)	1/2-13

Note: Dimensions are in mm (in).

Drawings shown are for reference only.

Please contact your regional support office for a detailed dimensional drawing of the specific motor you require.

Drawings may also be available from our website at www.baldor.com

* Tap sizes specified are SAE thread size (no metric equivalent).

NEMA explosion proof AC and DC motors

Motor dimensions

C-face explosion proof motors (continued)

Cast iron construction

NEMA frame	A	B	D	E	2F	H	O	P	U	V	AA	AB	AC	AH	AJ	AK	BA	BB	BD	Tap *
213TC	247.65 (9.75)	203.20 (8)	133.35 (5.25)	107.95 (4.25)	139.70 (5.5)	10.41 (0.41)	273.05 (10.75)	279.40 (11)	34.80 (1.37)	85.85 (3.38)	19.05 (0.75)	245.36 (9.66)	193.55 (7.62)	79.25 (3.12)	184.15 (7.25)	215.90 (8.5)	107.95 (4.25)	6.35 (0.25)	229.87 (9.05)	1/2-13
215TC	247.65 (9.75)	203.20 (8)	133.35 (5.25)	107.95 (4.25)	177.80 (7)	10.41 (0.41)	273.05 (10.75)	279.40 (11)	34.80 (1.37)	85.85 (3.38)	19.05 (0.75)	245.36 (9.66)	193.55 (7.62)	79.25 (3.12)	184.15 (7.25)	215.90 (8.5)	107.95 (4.25)	6.35 (0.25)	229.87 (9.05)	1/2-13
254TC	292.10 (11.5)	292.10 (11.5)	158.75 (6.25)	127.00 (5)	209.55 (8.25)	13.46 (0.53)	328.68 (12.94)	341.38 (13.44)	41.15 (1.62)	101.60 (4)	31.75 (1.25)	284.23 (11.19)	217.68 (8.57)	95.25 (3.75)	184.15 (7.25)	215.90 (8.5)	120.65 (4.75)	6.35 (0.25)	231.90 (9.13)	1/2-13
256TC	292.10 (11.5)	292.10 (11.5)	158.75 (6.25)	127.00 (5)	254.00 (10)	13.46 (0.53)	328.68 (12.94)	341.38 (13.44)	41.15 (1.62)	101.60 (4)	31.75 (1.25)	284.23 (11.19)	217.68 (8.57)	95.25 (3.75)	184.15 (7.25)	215.90 (8.5)	120.65 (4.75)	6.35 (0.25)	231.90 (9.13)	1/2-13
284TCS	324.10 (12.76)	323.85 (12.75)	177.80 (7)	139.70 (5.5)	241.30 (9.5)	13.46 (0.53)	374.65 (14.75)	394.72 (15.54)	41.15 (1.62)	82.55 (3.25)	31.75 (1.25)	365.00 (14.37)	271.53 (10.69)	76.20 (3)	228.60 (9)	266.70 (10.5)	120.65 (4.75)	6.35 (0.25)	283.21 (11.15)	1/2-13
286TCS	324.10 (12.76)	323.85 (12.75)	177.80 (7)	139.70 (5.5)	279.40 (11)	13.46 (0.53)	374.65 (14.75)	394.72 (15.54)	41.15 (1.62)	82.55 (3.25)	31.75 (1.25)	365.00 (14.37)	271.53 (10.69)	76.20 (3)	228.60 (9)	266.70 (10.5)	120.65 (4.75)	6.35 (0.25)	283.21 (11.15)	1/2-13
284TC	324.10 (12.76)	323.85 (12.75)	177.80 (7)	139.70 (5.5)	241.30 (9.5)	13.46 (0.53)	374.65 (14.75)	394.72 (15.54)	47.50 (1.87)	117.35 (4.62)	31.75 (1.25)	365.00 (14.37)	271.53 (10.69)	111.00 (4.37)	228.60 (9)	266.70 (10.5)	120.65 (4.75)	6.35 (0.25)	283.21 (11.15)	1/2-13
286TC	324.10 (12.76)	323.85 (12.75)	177.80 (7)	139.70 (5.5)	279.40 (11)	13.46 (0.53)	374.65 (14.75)	394.72 (15.54)	47.50 (1.87)	117.35 (4.62)	31.75 (1.25)	365.00 (14.37)	271.53 (10.69)	111.00 (4.37)	228.60 (9)	266.70 (10.5)	120.65 (4.75)	6.35 (0.25)	283.21 (11.15)	1/2-13
324TC	368.30 (14.5)	355.60 (14)	203.20 (8)	158.75 (6.25)	266.70 (10.5)	16.51 (0.65)	423.67 (16.68)	443.48 (17.46)	53.85 (2.12)	133.35 (5.25)	38.10 (1.5)	387.35 (15.25)	294.64 (11.6)	127.00 (5)	279.40 (11)	317.50 (12.5)	133.35 (5.25)	6.35 (0.25)	339.85 (13.38)	5/8-11
326TC	368.30 (14.5)	355.60 (14)	203.20 (8)	158.75 (6.25)	304.80 (12)	16.51 (0.65)	423.67 (16.68)	443.48 (17.46)	53.85 (2.12)	133.35 (5.25)	38.10 (1.5)	387.35 (15.25)	294.64 (11.6)	127.00 (5)	279.40 (11)	317.50 (12.5)	133.35 (5.25)	6.35 (0.25)	339.85 (13.38)	5/8-11

Note: Dimensions are in mm (in).

Drawings shown are for reference only.

Please contact your regional support office for a detailed dimensional drawing of the specific motor you require.

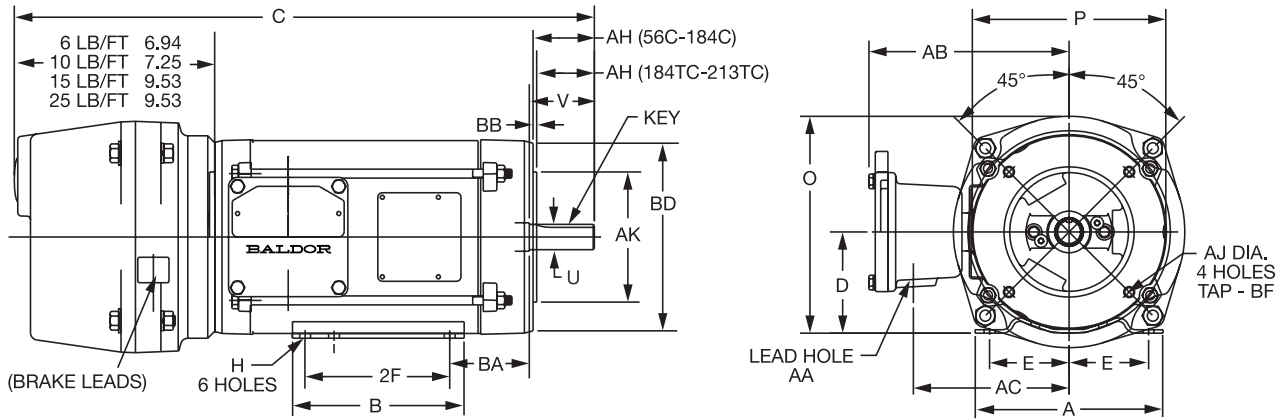
Drawings may also be available from our website at www.baldor.com

* Tap sizes specified are SAE tread size (no metric equivalent).

NEMA explosion proof AC and DC motors

Motor dimensions

Brake motors, C-face foot mounted,
Explosion proof, three phase



NEMA frame	A	B	D	E	2F	H	O	P	U	V	AA	AB	AC	AH	AJ	AK	BA	BB	BD	Tap *
56C	165.10 (6.5)	114.30 (4.5)	88.90 (3.5)	61.98 (2.44)	76.20 (3)	8.64 (0.34)	190.50 (7.5)	169.93 (6.69)	15.75 (0.62)	47.50 (1.87)	12.70 (0.5)	175.77 (6.92)	136.65 (5.38)	52.32 (2.06)	149.35 (5.88)	114.30 (4.5)	69.85 (2.75)	3.30 (0.13)	164.85 (6.49)	3/8-16
143TC	165.10 (6.5)	150.88 (5.94)	88.90 (3.5)	69.85 (2.75)	101.60 (4)	8.64 (0.34)	190.50 (7.5)	169.93 (6.69)	22.10 (0.87)	57.15 (2.25)	19.05 (0.75)	175.77 (6.92)	136.65 (5.38)	53.85 (2.12)	149.35 (5.88)	114.30 (4.5)	69.85 (2.75)	3.30 (0.13)	164.85 (6.49)	3/8-16
145TC	165.10 (6.5)	150.88 (5.94)	88.90 (3.5)	69.85 (2.75)	127.00 (5)	8.64 (0.34)	190.50 (7.5)	169.93 (6.69)	22.10 (0.87)	57.15 (2.25)	19.05 (0.75)	175.77 (6.92)	136.65 (5.38)	53.85 (2.12)	149.35 (5.88)	114.30 (4.5)	69.85 (2.75)	3.30 (0.13)	164.85 (6.49)	3/8-16
182TC	219.20 (8.63)	165.10 (6.5)	114.30 (4.5)	95.25 (3.75)	114.30 (4.5)	10.41 (0.41)	228.35 (8.99)	203.96 (8.03)	28.45 (1.12)	69.85 (2.75)	19.05 (0.75)	191.01 (7.52)	151.89 (5.98)	66.55 (2.62)	184.15 (7.25)	215.90 (8.5)	88.90 (3.5)	6.35 (0.25)	228.09 (8.98)	1/2-13
184TC	219.20 (8.63)	165.10 (6.5)	114.30 (4.5)	95.25 (3.75)	139.70 (5.5)	10.41 (0.41)	228.35 (8.99)	203.96 (8.03)	28.45 (1.12)	69.85 (2.75)	19.05 (0.75)	191.01 (7.52)	151.89 (5.98)	66.55 (2.62)	184.15 (7.25)	215.90 (8.5)	88.90 (3.5)	6.35 (0.25)	228.09 (8.98)	1/2-13
213TC	241.30 (9.5)	203.20 (8)	133.35 (5.25)	107.95 (4.25)	139.70 (5.5)	10.41 (0.41)	254.76 (10.03)	246.13 (9.69)	34.80 (1.37)	85.60 (3.37)	19.05 (0.75)	212.60 (8.37)	173.48 (6.83)	79.25 (3.12)	184.15 (7.25)	215.90 (8.5)	107.95 (4.25)	6.35 (0.25)	228.60 (9)	1/2-13
215TC	241.30 (9.5)	203.20 (8)	133.35 (5.25)	107.95 (4.25)	177.80 (7)	10.41 (0.41)	254.76 (10.03)	246.13 (9.69)	34.80 (1.37)	85.60 (3.37)	19.05 (0.75)	212.60 (8.37)	173.48 (6.83)	79.25 (3.12)	184.15 (7.25)	215.90 (8.5)	107.95 (4.25)	6.35 (0.25)	228.60 (9)	1/2-13

Note: Dimensions are in mm (in)

Drawings shown are for reference only.

Please contact your regional support office for a detailed dimensional drawing of the specific motor you require.

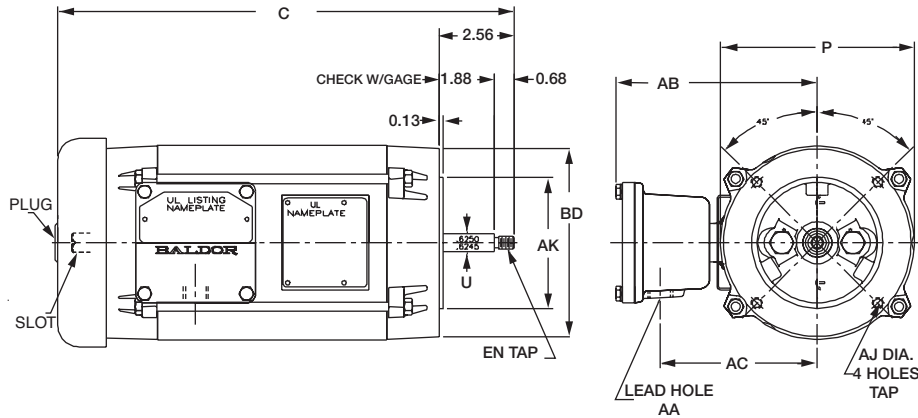
Drawings may also be available from our website at www.baldor.com

* Tap sizes specified are SAE thread size (no metric equivalent).

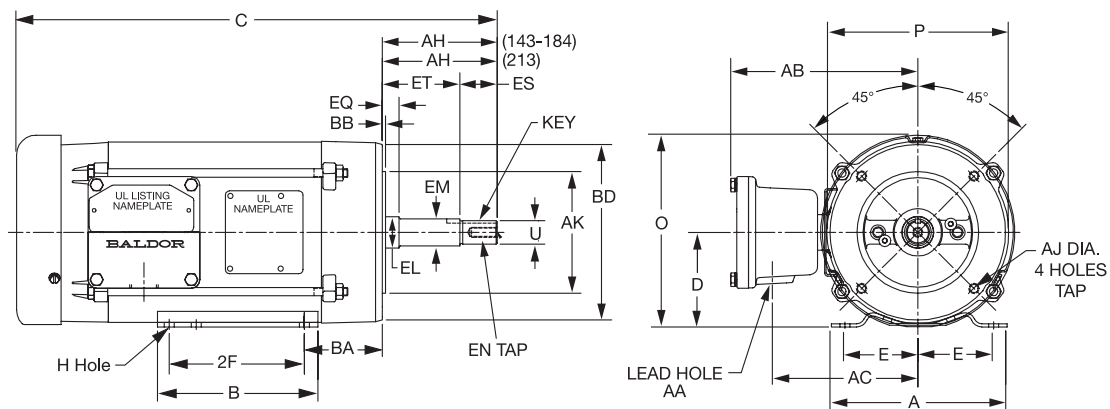
NEMA explosion proof AC and DC motors

Motor dimensions

Jet pump explosion proof motors 56J frame



Close-coupled pump explosion proof motors 143JM-2 ISJM frame



Rolled steel construction

NEMA frame	A	B	D	E	2F	H	O	P	U	AA	AB	AC	AJ	AK	BA	BB	BD	Tap *
(400Type)	-	-	-	-	-	-	-	142.49 (5.61)	15.75 (0.62)	12.70 (0.5)	165.86 (6.53)	127.00 (5)	149.35 (5.88)	114.30 (4.5)	-	3.05 (0.12)	150.11 (5.91)	3/8-16
56J	-	-	-	-	-	-	-	169.67 (6.68)	15.75 (0.62)	12.70 (0.5)	175.26 (6.9)	136.65 (5.38)	149.35 (5.88)	114.30 (4.5)	-	3.05 (0.12)	165.10 (6.5)	3/8-16
143JM	165.10 (6.5)	150.88 (5.94)	88.90 (3.5)	69.85 (2.75)	101.60 (4)	8.64 (0.34)	198.37 (7.81)	169.93 (6.69)	22.10 (0.87)	19.05 (0.75)	175.77 (6.92)	136.65 (5.38)	149.35 (5.88)	114.30 (4.5)	73.15 (2.88)	3.30 (0.13)	164.85 (6.49)	3/8-16
145JM	165.10 (6.5)	150.88 (5.94)	88.90 (3.5)	69.85 (2.75)	127.00 (5)	8.64 (0.34)	198.37 (7.81)	169.93 (6.69)	22.10 (0.87)	19.05 (0.75)	175.77 (6.92)	136.65 (5.38)	149.35 (5.88)	114.30 (4.5)	73.15 (2.88)	3.30 (0.13)	164.85 (6.49)	3/8-16
182JM	219.20 (8.63)	165.10 (6.5)	114.30 (4.5)	95.25 (3.75)	114.30 (4.5)	10.41 (0.41)	228.35 (8.99)	200.15 (7.88)	22.10 (0.87)	19.05 (0.75)	191.01 (7.52)	151.89 (5.98)	149.35 (5.88)	114.30 (4.5)	88.90 (3.5)	3.05 (0.12)	159.51 (6.28)	3/8-16
184JM	219.20 (8.63)	165.10 (6.5)	114.30 (4.5)	95.25 (3.75)	139.70 (5.5)	10.41 (0.41)	228.35 (8.99)	200.15 (7.88)	22.10 (0.87)	19.05 (0.75)	191.01 (7.52)	151.89 (5.98)	149.35 (5.88)	114.30 (4.5)	88.90 (3.5)	3.05 (0.12)	159.51 (6.28)	3/8-16
213JM	241.30 (9.5)	203.20 (8)	133.35 (5.25)	107.95 (4.25)	139.70 (5.5)	10.41 (0.41)	279.15 (10.99)	246.13 (9.69)	22.10 (0.87)	19.05 (0.75)	212.60 (8.37)	173.48 (6.83)	184.15 (7.25)	215.90 (8.5)	107.95 (4.25)	6.35 (0.25)	229.62 (9.04)	1/2-13
215JM	241.30 (9.5)	203.20 (8)	133.35 (5.25)	107.95 (4.25)	177.80 (7)	10.41 (0.41)	279.15 (10.99)	246.13 (9.69)	22.10 (0.87)	19.05 (0.75)	212.60 (8.37)	173.48 (6.83)	184.15 (7.25)	215.90 (8.5)	107.95 (4.25)	6.35 (0.25)	229.62 (9.04)	1/2-13

Note: Dimensions are in mm (in).

Drawings shown are for reference only.

Please contact your regional support office for a detailed dimensional drawing of the specific motor you require.

Drawings may also be available from our website at www.baldor.com

* Tap sizes specified are SAE thread size (no metric equivalent).

NEMA explosion proof AC and DC motors

Motor dimensions

Close-coupled pump explosion proof motors (continued)

143JM-2 ISJM frame

Rolled steel construction

NEMA Frame	AH	EL	EM	EN	EQ	ES	ET
143JM	108.71 (4.28)	29.46 (1.16)	25.40 (1)	22.35 (0.88)	16.26 (0.64)	35.31 (1.39)	73.41 (2.89)
145JM	108.71 (4.28)	29.46 (1.16)	25.40 (1)	22.35 (0.88)	16.26 (0.64)	35.31 (1.39)	73.41 (2.89)
182JM	108.71 (4.28)	31.75 (1.25)	25.40 (1)	22.35 (0.88)	16.26 (0.64)	35.31 (1.39)	73.41 (2.89)
184JM	108.71 (4.28)	31.75 (1.25)	25.40 (1)	22.35 (0.88)	16.26 (0.64)	35.31 (1.39)	73.41 (2.89)
213JM	107.95 (4.25)	31.75 (1.25)	25.40 (1)	22.35 (0.88)	15.75 (0.62)	34.80 (1.37)	73.15 (2.88)
215JM	107.95 (4.25)	31.75 (1.25)	25.40 (1)	22.35 (0.88)	15.75 (0.62)	34.80 (1.37)	73.15 (2.88)

Note: Dimensions are in mm (in).

Drawings shown are for reference only.

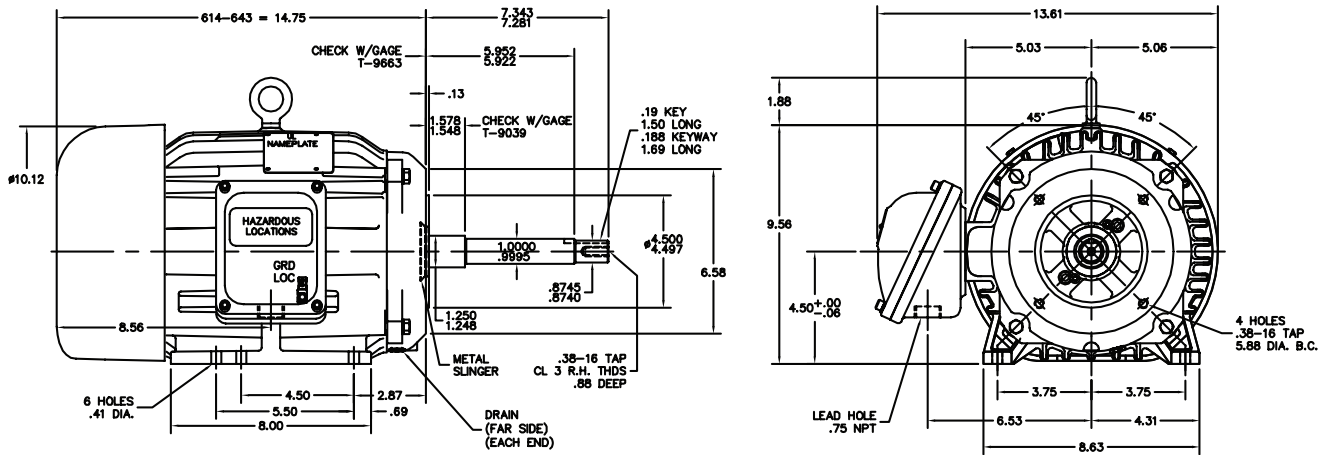
Please contact your regional support office for a detailed dimensional drawing of the specific motor you require.

Drawings may also be available from our website at www.baldor.com

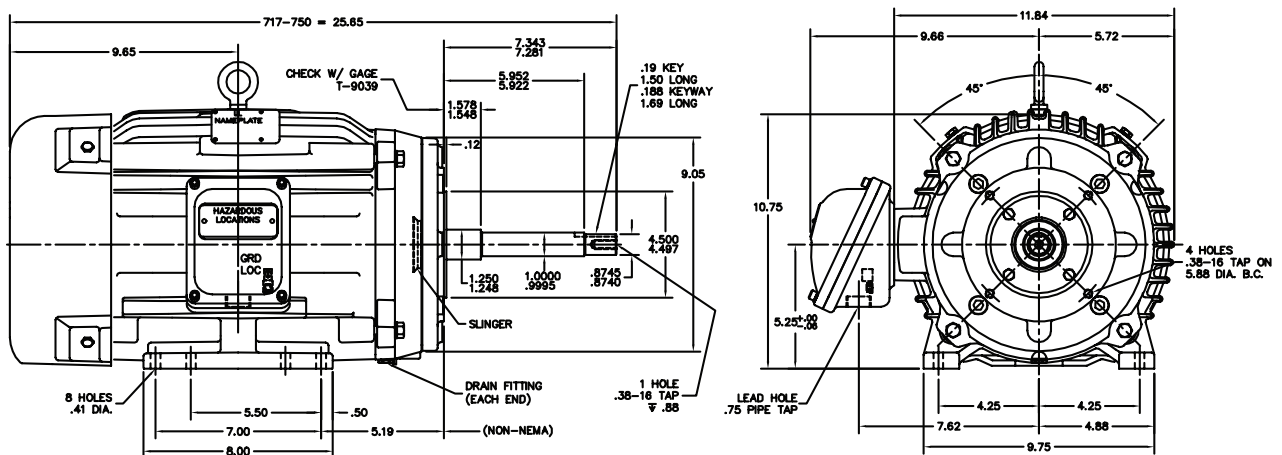
NEMA explosion proof AC and DC motors

Motor dimensions

Close-coupled pump – drill rig duty 182JP frame



Close-coupled pump – drill rig duty – One size smaller flange J shaft 184JP mounting



Note: Drawings shown are for reference only.
Please contact your regional support office for a detailed dimensional drawing of the specific motor you require.
Drawings may also be available from our website at www.baldor.com

NEMA explosion proof AC and DC motors

Motor dimensions

Submersible 140TY–320TY frames (continued)

Frame	BD	BE	BF	XR *	X *	Lead Connection			B.E. Keyway			Weight
						Y	XD	BB	A	B	Length	
140TY	280.97 (11.062)	19.05 (0.75)	11.18 (0.44)	3/8-16	2-1/2-8	31.75 (1.25)	139.70 (5.5)	3.05 (0.12)	4.75 (0.187)	2.29 (0.09)	31.75 (1.25)	72.57 (160)
180TY	314.33 (12.375)	19.05 (0.75)	14.22 (0.56)	1/2-13	2-1/2-8	31.75 (1.25)	171.45 (6.75)	3.05 (0.12)	6.35 (0.25)	3.05 (0.12)	28.45 (1.12)	90.71 (200)
210TY	387.35 (15.25)	19.05 (0.75)	14.22 (0.56)	5/8-11	2-1/2-8	31.75 (1.25)	196.85 (7.75)	6.35 (0.25)	9.53 (0.375)	4.83 (0.19)	28.45 (1.12)	142.88 (315)
250TY	431.80 (17)	22.35 (0.88)	17.53 (0.69)	5/8-11	2-1/2-8	31.75 (1.25)	196.85 (7.75)	6.35 (0.25)	9.53 (0.375)	4.83 (0.19)	57.15 (2.25)	340.19 (750)
320TY	476.25 (18.75)	22.35 (0.88)	17.53 (0.69)	3/4-10	3-8	31.75 (1.25)	276.35 (10.88)	6.35 (0.25)	12.70 (0.5)	6.35 (0.25)	76.20 (3)	521.63 (1150)

Note: Dimensions are in mm (in). Weights are in kg (lb).

Drawings shown are for reference only.

Please contact your regional support office for a detailed dimensional drawing of the specific motor you require.

Drawings may also be available from our website at www.baldor.com

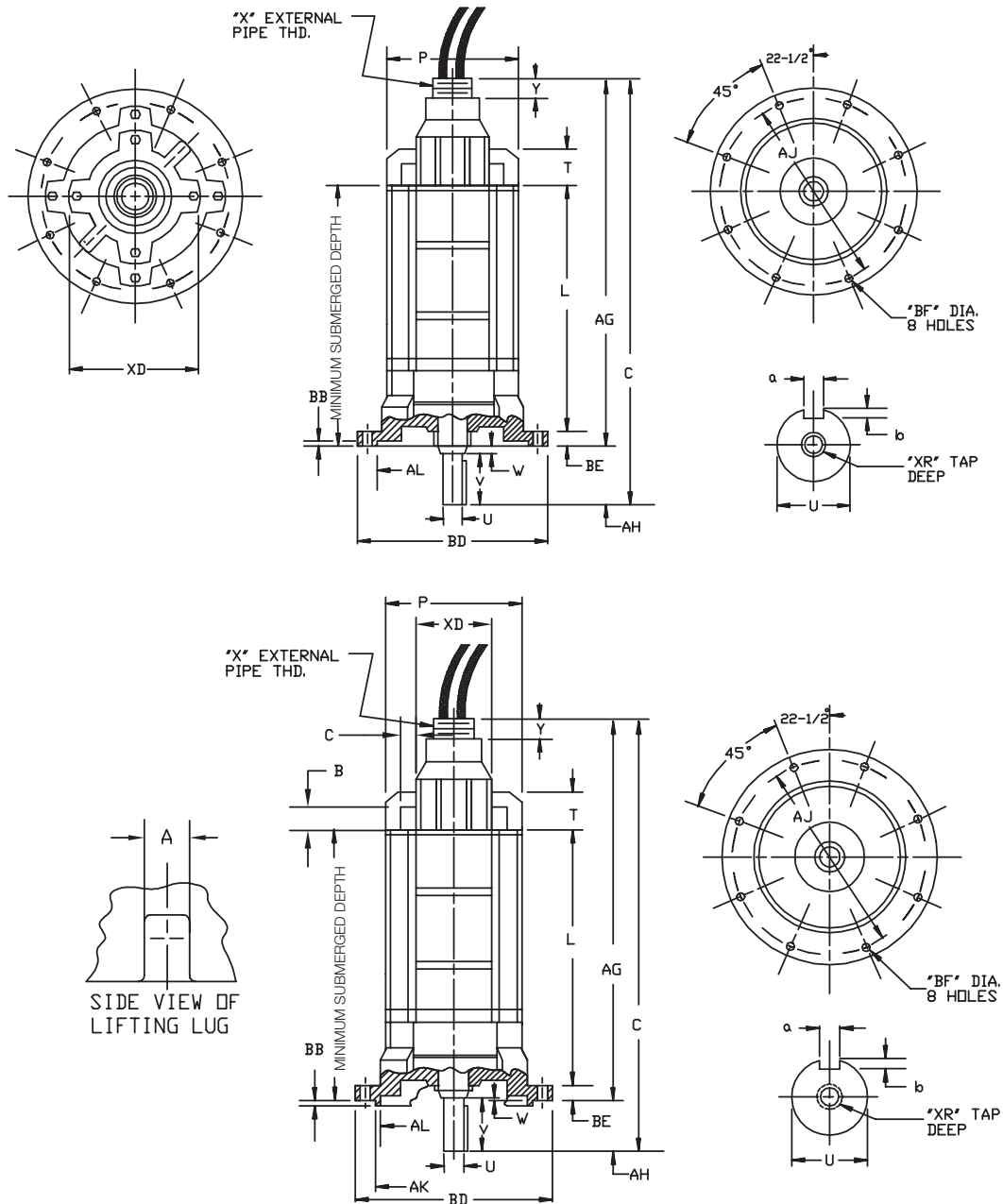
* Tap sizes specified are SAE thread size (no metric equivalent).

NEMA explosion proof AC and DC motors

Motor dimensions

Submersible 180TY-320TY frames

One size smaller flange and shaft



Frame	C	L	P	T	U	V	W	AG	AH	AJ	AK	AL
180TY	658.88 (25.94)	419.10 (16.5)	244.35 (9.62)	57.15 (2.25)	22.23 (0.875)	31.75 (1.25)	7.87 (0.31)	619.25 (24.38)	39.62 (1.56)	254.00 (10)		2317.75 (91.25)
210TY	823.21 (32.41)	612.65 (24.12)	284.48 (11.2)	57.15 (2.25)	31.75 (1.25)	50.80 (2)	6.35 (0.25)	765.05 (30.12)	57.91 (2.28)	292.10 (11.5)		269.88 (10.625)
250TY	941.32 (37.06)	612.65 (24.12)	323.85 (12.75)	57.15 (2.25)	36.53 (1.438)	50.80 (2)	6.35 (0.25)	901.70 (35.5)	39.62 (1.56)	358.65 (14.12)	333.38 (13.125)	304.80 (12)
320TY	1079.50 (42.5)	668.27 (26.31)	406.40 (16)	88.90 (3.5)	44.45 (1.75)	84.07 (3.31)	6.35 (0.25)	996.95 (39.25)	76.96 (3.03)	406.40 (16)	381.00 (15)	361.95 (14.25)

Note: Dimensions are in mm (in).
 Drawings shown are for reference only.
 Please contact your regional support office for a detailed dimensional drawing of the specific motor you require.
 Drawings may also be available from our website at www.baldor.com

NEMA explosion proof AC and DC motors

Motor dimensions

Submersible 180TY-320TY frames

One size smaller flange and shaft (continued)

Frame	BD	BE	BF	XR *	X *	Lead Connection		BB	B.E. Keyway		Length	Weight
						Y	XD		A	B		
180TY	280.97 (11.062)	19.05 (0.75)	11.18 (0.44)	3/18-16	2-1/2-8	31.75 (1.25)	171.45 (6.75)	3.05 (0.12)	4.75 (0.187)	2.29 (0.09)	28.45 (1.12)	90.71 (200)
210TY	314.33 (12.375)	19.05 (0.75)	14.22 (0.56)	1/2-13	2-1/2-8	31.75 (1.25)	196.85 (7.75)	3.05 (0.12)	6.35 (0.25)	3.05 (0.12)	28.45 (1.12)	142.88 (315)
250TY	387.35 (15.25)	25.40 (1)	14.22 (0.56)	5/8-11	2-1/2-8	31.75 (1.25)	196.85 (7.75)	6.35 (0.25)	9.53 (0.375)	4.83 (0.19)	28.45 (1.12)	340.19 (750)
320TY	431.80 (17)	22.35 (0.88)	17.53 (0.69)	5/8-11	3'-8	31.75 (1.25)	276.35 (10.88)	6.35 (0.25)	9.53 (0.375)	4.83 (0.19)	76.20 (3)	521.63 (1150)

Note: Dimensions are in mm (in). Weights are in kg (lb).

Drawings shown are for reference only.

Please contact your regional support office for a detailed dimensional drawing of the specific motor you require.

Drawings may also be available from our website at www.baldor.com

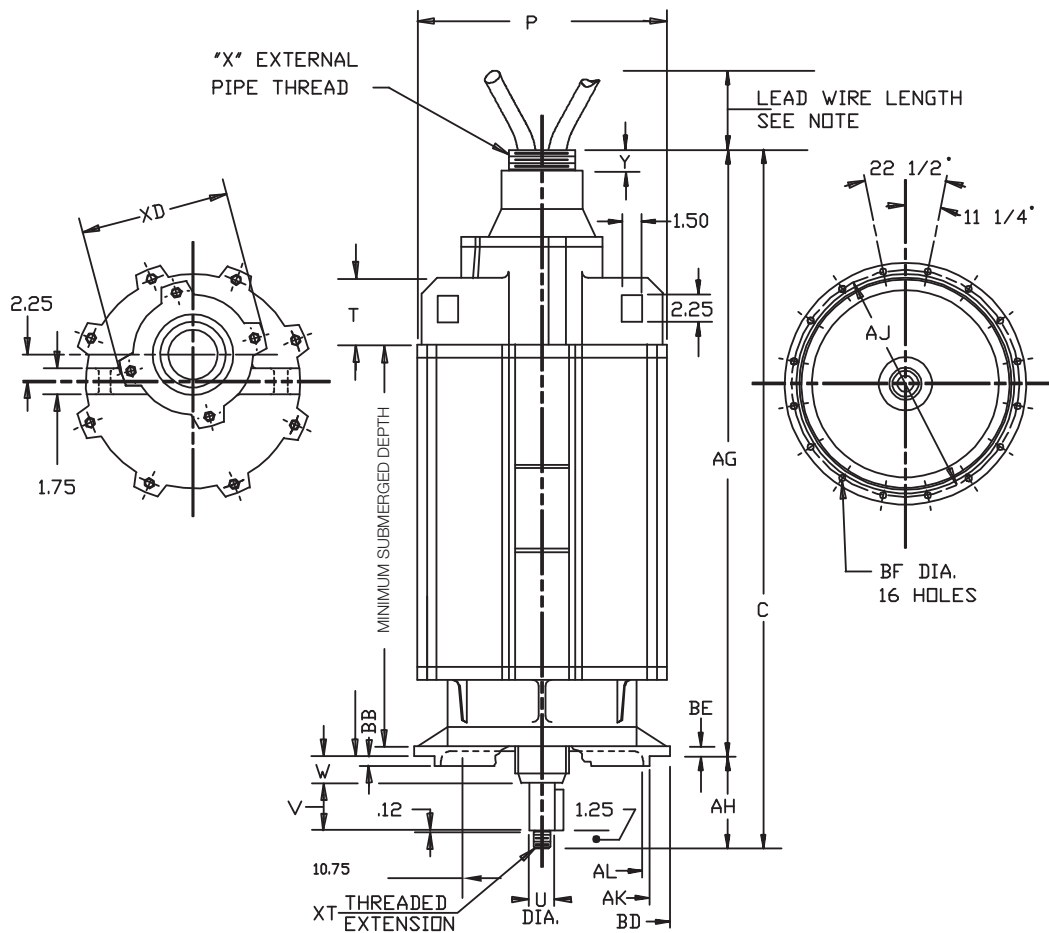
* Tap sizes specified are SAE tread size (no metric equivalent).

NEMA explosion proof AC and DC motors

Motor dimensions

Submersible

360TY-L360TY frames



Frame	C	L	P	T	U	V	W	AG	AH	AJ	AK	AL
180TY	1196.34 (47.1)	793.75 (31.25)	466.85 (18.38)	107.95 (4.25)	63.49 (2.4997)	81.03 (3.19)	53.85 (2.12)	1098.55 (43.25)	166.62 (6.56)	476.25 (18.75)	444.50 (17.5)	387.35 (15.25)
210TY	1247.14 (49.1)	844.55 (33.25)	466.85 (18.38)	107.95 (4.25)	63.49 (2.4997)	81.03 (3.19)	53.85 (2.12)	1149.35 (45.25)	166.62 (6.56)	476.25 (18.75)	444.50 (17.5)	387.35 (15.25)

Frame	BB	BD	BE	BF	XT*	Lead Connection			B.E. Keyway	
						X*	Y	XD	SQ.	LGTH
180TY	6.35 (0.25)	514.35 (20.25)	28.45 (1.12)	17.53 (0.69)	1-1/2-12	3-8	31.75 (1.25)	276.35 (10.88)	12.70 (0.5)	76.20 (3)
210TY	6.35 (0.25)	514.35 (20.25)	28.45 (1.12)	17.53 (0.69)	1-1/2-12	3-8	31.75 (1.25)	276.35 (10.88)	12.70 (0.5)	76.20 (3)

Note: Dimensions are in mm (in).

Drawings shown are for reference only.

Please contact your regional support office for a detailed dimensional drawing of the specific motor you require.

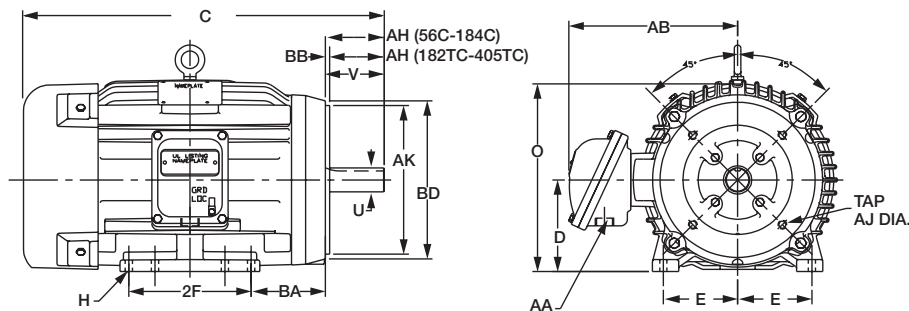
Drawings may also be available from our website at www.baldor.com

* Tap sizes specified are SAE thread size (no metric equivalent).

NEMA explosion proof AC and DC motors

Motor dimensions

TEFC Inverter Drive[®] explosion proof motors



Rolled steel construction

NEMA Frame	D	E	2F	H	O	U	V	AA *	AB	AH	AJ	AK	BA	BB	BD	Tap *
56C	88.90 (3.5)	61.98 (2.44)	76.20 (3)	8.64 (0.34)	180.09 (7.09)	15.88 (0.625)	47.75 (1.88)	0.50 NPT	175.77 (6.92)	52.32 (2.06)	149.35 (5.88)	114.30 (4.5)	69.85 (2.75)	3.30 (0.13)	164.08 (6.46)	3/8-16
143TC	88.90 (3.5)	69.85 (2.75)	101.60 (4)	8.64 (0.34)	180.09 (7.09)	22.23 (0.875)	57.15 (2.25)	0.75 NPT	175.77 (6.92)	53.85 (2.12)	149.35 (5.88)	114.30 (4.5)	69.85 (2.75)	3.30 (0.13)	164.08 (6.46)	3/8-16
145TC	88.90 (3.5)	69.85 (2.75)	127.00 (5)	8.64 (0.34)	180.09 (7.09)	22.23 (0.875)	57.15 (2.25)	0.75 NPT	175.77 (6.92)	53.85 (2.12)	149.35 (5.88)	114.30 (4.5)	69.85 (2.75)	3.30 (0.13)	164.08 (6.46)	3/8-16

Cast iron construction

NEMA Frame	D	E	2F	H	O	U	V	AA	AB	AH	AJ	AK	BA	BB	BD	Tap *
182TC	114.30 (4.5)	95.25 (3.75)	114.30 (4.5)	10.41 (0.41)	242.82 (9.56)	28.58 (1.125)	69.85 (2.75)	19.05 (0.75)	217.17 (8.55)	66.55 (2.62)	184.15 (7.25)	215.90 (8.5)	88.90 (3.5)	3.30 (0.13)	227.58 (8.96)	1/2-13
184TC	114.30 (4.5)	95.25 (3.75)	139.70 (5.5)	10.41 (0.41)	242.82 (9.56)	28.58 (1.125)	69.85 (2.75)	19.05 (0.75)	217.17 (8.55)	66.55 (2.62)	184.15 (7.25)	215.90 (8.5)	88.90 (3.5)	3.30 (0.13)	227.58 (8.96)	1/2-13
213TC	133.35 (5.25)	107.95 (4.25)	139.70 (5.5)	10.41 (0.41)	273.05 (10.75)	34.93 (1.375)	85.60 (3.37)	19.05 (0.75)	245.36 (9.66)	79.25 (3.12)	184.15 (7.25)	215.90 (8.5)	107.95 (4.25)	6.35 (0.25)	229.87 (9.05)	1/2-13
215TC	133.35 (5.25)	107.95 (4.25)	177.80 (7)	10.41 (0.41)	273.05 (10.75)	34.93 (1.375)	85.60 (3.37)	19.05 (0.75)	245.36 (9.66)	79.25 (3.12)	184.15 (7.25)	215.90 (8.5)	107.95 (4.25)	6.35 (0.25)	229.87 (9.05)	1/2-13
254TC	158.75 (6.25)	127.00 (5)	209.55 (8.25)	13.46 (0.53)	328.68 (12.94)	41.28 (1.625)	101.60 (4)	31.75 (1.25)	285.75 (11.25)	95.25 (3.75)	184.15 (7.25)	215.90 (8.5)	120.65 (4.75)	6.35 (0.25)	231.90 (9.13)	1/2-13
256TC	158.75 (6.25)	127.00 (5)	254.00 (10)	13.46 (0.53)	328.68 (12.94)	41.28 (1.625)	101.60 (4)	31.75 (1.25)	285.75 (11.25)	95.25 (3.75)	184.15 (7.25)	215.90 (8.5)	120.65 (4.75)	6.35 (0.25)	231.90 (9.13)	1/2-13

Note: Dimensions are in mm (in).

Drawings shown are for reference only.

Please contact your regional support office for a detailed dimensional drawing of the specific motor you require.

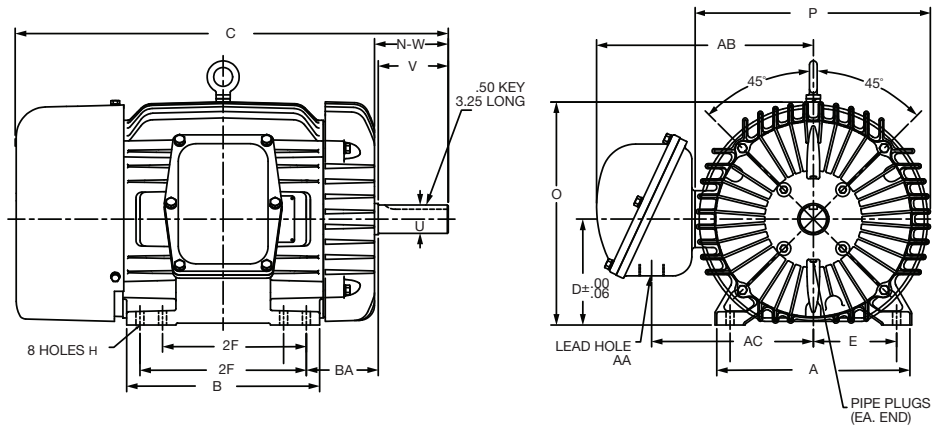
Drawings may also be available from our website at www.baldor.com

* Tap sizes specified are SAE tread size (no metric equivalent).

NEMA explosion proof AC and DC motors

Motor dimensions

TEFC Inverter Drive[®] explosion proof motors



Cast iron construction (non-C-face)

NEMA Frame	A	B	D	E	2F	H	Key	N	O	P	U	V	AA *	AB	AC	BA
254T	292.10 (11.5)	292.10 (11.5)	158.75 (6.25)	127.00 (5)	209.55 (8.25)	13.46 (0.53)	9.65 (0.38)	106.68 (4.2)	328.68 (12.94)	339.85 (13.38)	41.28 (1.625)	101.60 (4)	1.25 NPT	285.75 (11.25)	217.68 (8.57)	107.95 (4.25)
256T	292.10 (11.5)	292.10 (11.5)	158.75 (6.25)	127.00 (5)	254.00 (10)	13.46 (0.53)	9.65 (0.38)	106.68 (4.2)	328.68 (12.94)	339.85 (13.38)	41.28 (1.625)	101.60 (4)	1.25 NPT	285.75 (11.25)	217.68 (8.57)	107.95 (4.25)
284T	324.10 (12.76)	323.85 (12.75)	177.80 (7)	139.70 (5.5)	241.30 (9.5)	13.46 (0.53)	12.70 (0.5)	123.95 (4.88)	374.40 (14.74)	394.72 (15.54)	47.63 (1.875)	117.60 (4.63)	1.25 NPT	363.73 (14.32)	271.53 (10.69)	123.95 (4.88)
286T	324.10 (12.76)	323.85 (12.75)	177.80 (7)	139.70 (5.5)	279.40 (11)	13.46 (0.53)	12.70 (0.5)	123.95 (4.88)	374.40 (14.74)	394.72 (15.54)	47.63 (1.875)	117.60 (4.63)	1.25 NPT	363.73 (14.32)	271.53 (10.69)	123.95 (4.88)
324T	368.30 (14.5)	355.60 (14)	203.20 (8)	158.75 (6.25)	266.70 (10.5)	16.51 (0.65)	12.70 (0.5)	138.18 (5.44)	423.67 (16.68)	441.96 (17.4)	53.98 (2.125)	133.35 (5.25)	1.50 NPT	386.84 (15.23)	294.64 (11.6)	138.18 (5.44)
326T	368.30 (14.5)	355.60 (14)	203.20 (8)	158.75 (6.25)	304.80 (12)	16.51 (0.65)	12.70 (0.5)	138.18 (5.44)	423.67 (16.68)	441.96 (17.4)	53.98 (2.125)	133.35 (5.25)	1.50 NPT	386.84 (15.23)	294.64 (11.6)	138.18 (5.44)
364T	419.10 (16.5)	368.30 (14.5)	228.60 (9)	177.80 (7)	285.75 (11.25)	16.51 (0.65)	15.75 (0.62)	155.70 (6.13)	468.38 (18.44)	485.90 (19.13)	60.33 (2.375)	149.35 (5.88)	3.00 NPT	447.04 (17.6)	330.20 (13)	155.70 (6.13)
365T	419.10 (16.5)	368.30 (14.5)	228.60 (9)	177.80 (7)	311.15 (12.25)	16.51 (0.65)	15.75 (0.62)	155.70 (6.13)	468.38 (18.44)	485.90 (19.13)	60.33 (2.375)	149.35 (5.88)	3.00 NPT	447.04 (17.6)	330.20 (13)	155.70 (6.13)
405T	479.55 (18.88)	422.40 (16.63)	254.00 (10)	203.20 (8)	311.15 (12.25)	20.57 (0.81)	19.05 (0.75)	192.02 (7.56)	530.35 (20.88)	539.75 (21.25)	73.03 (2.875)	184.15 (7.25)	2.50 NPT	475.74 (18.73)	358.90 (14.13)	168.15 (6.62)
	479.55 (18.88)	422.40 (16.63)	254.00 (10)	203.20 (8)	349.25 (13.75)	20.57 (0.81)	19.05 (0.75)	192.02 (7.56)	530.35 (20.88)	539.75 (21.25)	73.03 (2.875)	184.15 (7.25)	2.50 NPT	475.74 (18.73)	358.90 (14.13)	168.15 (6.62)

Note: Dimensions are in mm (in).

Drawings shown are for reference only.

Please contact your regional support office for a detailed dimensional drawing of the specific motor you require.

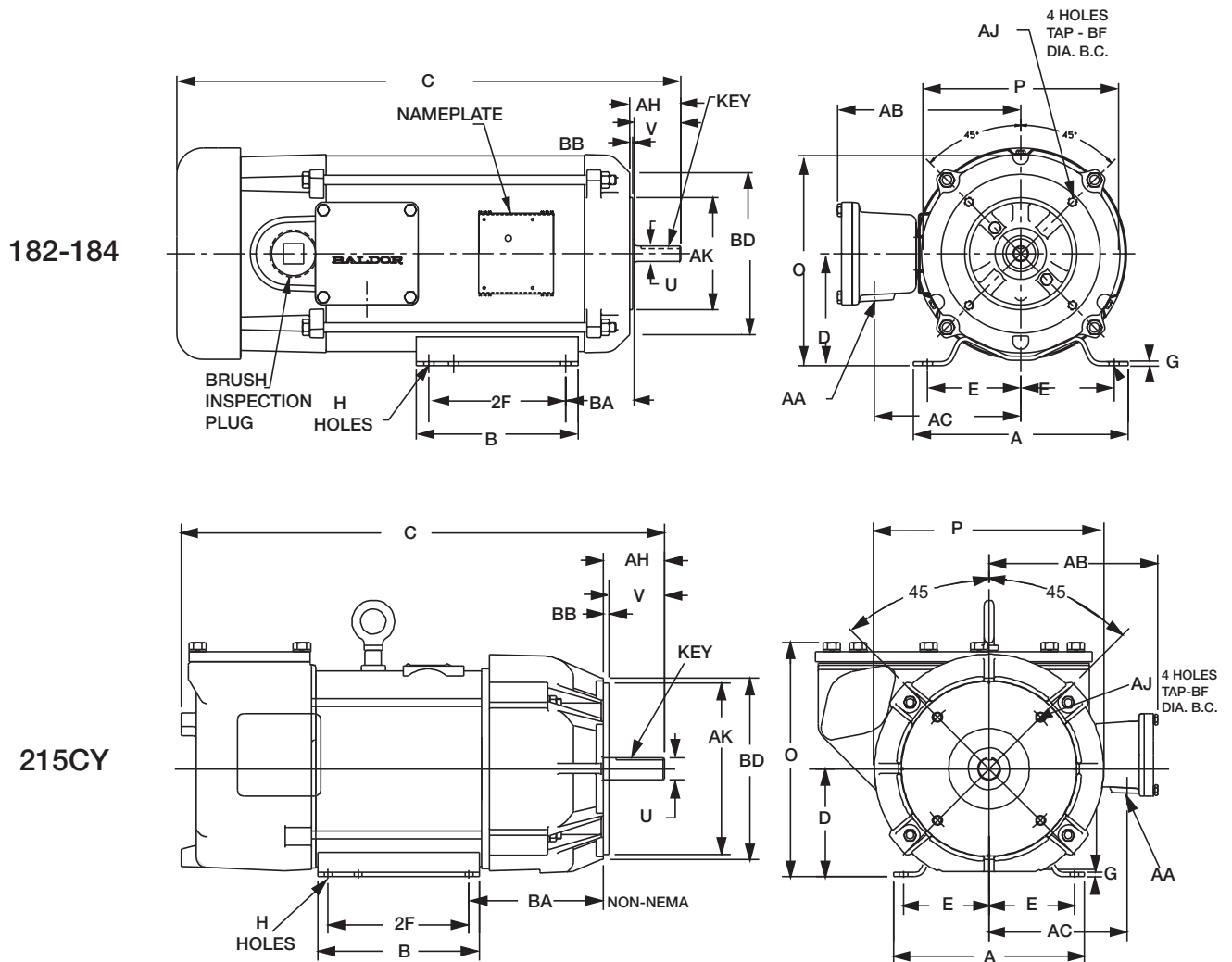
Drawings may also be available from our website at www.baldor.com

* Tap sizes specified are SAE thread size (no metric equivalent).

NEMA explosion proof AC and DC motors

Motor dimensions

SCR drive shunt wound DC explosion proof motors



NEMA Frame	Type	C	BA	E	2F	G	H	U	V	Key	AH	A	B	D	O	P
182CZ	3623D	472.69 (18.61)	69.85 (2.75)	95.25 (3.75)	114.30 (4.5)/139.70 (5.5)	4.06 (0.16)	10.41 (0.41)	15.75 (0.62)	47.75 (1.88)	4.83 (0.19)	52.32 (2.06)	219.20 (8.63)	165.10 (6.5)	114.30 (4.5)	214.38 (8.44)	199.64 (7.86)
182C	3623D	474.47 (18.68)	69.85 (2.75)	95.25 (3.75)	114.30 (4.5)/139.70 (5.5)	4.06 (0.16)	10.41 (0.41)	22.10 (0.87)	57.15 (2.25)	4.83 (0.19)	53.85 (2.12)	219.20 (8.63)	165.10 (6.5)	114.30 (4.5)	214.38 (8.44)	199.64 (7.86)
	3636D	515.62 (20.3)	69.85 (2.75)	95.25 (3.75)	114.30 (4.5)/139.70 (5.5)	4.06 (0.16)	10.41 (0.41)	22.10 (0.87)	57.15 (2.25)	4.83 (0.19)	53.85 (2.12)	219.20 (8.63)	165.10 (6.5)	114.30 (4.5)	214.38 (8.44)	199.64 (7.86)
184C	3646D	547.62 (21.56)	69.85 (2.75)	95.25 (3.75)	114.30 (4.5)/139.70 (5.5)	4.06 (0.16)	10.41 (0.41)	22.10 (0.87)	57.15 (2.25)	4.83 (0.19)	53.85 (2.12)	219.20 (8.63)	165.10 (6.5)	114.30 (4.5)	214.38 (8.44)	199.64 (7.86)
215CY	7544D	609.35 (23.99)	169.93 (6.69)	107.95 (4.25)	114.30 (4.5)/139.70 (5.5)	20.57 (0.81)	10.41 (0.41)	28.45 (1.12)	69.85 (2.75)	6.35 (0.25)	76.20 (3)	241.30 (9.5)	203.20 (8)	135.89 (5.35)	294.13 (11.58)	349.25 (13.75)

Note: Dimensions are in mm (in).
 Drawings shown are for reference only.
 Please contact your regional support office for a detailed dimensional drawing of the specific motor you require.
 Drawings may also be available from our website at www.baldor.com

NEMA explosion proof AC and DC motors

Motor dimensions

SCR drive shunt wound DC explosion proof motors (continued)

NEMA Frame	Type	AA	AB	AC	AJ	AK	BB	BD	BF *
182CZ	3623D	19.05 (0.75)	186.69 (7.35)	149.35 (5.88)	149.35 (5.88)	114.30 (4.5)	3.05 (0.12)	165.35 (6.51)	3/8-16
182C	3623D	19.05 (0.75)	186.69 (7.35)	149.35 (5.88)	149.35 (5.88)	114.30 (4.5)	3.05 (0.12)	165.35 (6.51)	3/8+16
	3636D	19.05 (0.75)	186.69 (7.35)	149.35 (5.88)	149.35 (5.88)	114.30 (4.5)	3.05 (0.12)	165.35 (6.51)	3/8+16
184C	3646D	19.05 (0.75)	186.69 (7.35)	149.35 (5.88)	149.35 (5.88)	114.30 (4.5)	3.05 (0.12)	165.35 (6.51)	3/8+16
215CY	7544D	19.05 (0.75)	218.95 (8.62)	173.74 (6.84)	184.15 (7.25)	215.90 (8.5)	6.35 (0.25)	228.60 (9)	1/2-13

Note: Dimensions are in mm (in). Drawings shown are for reference only.

Please contact your regional support office for a detailed dimensional drawing of the specific motor you require.

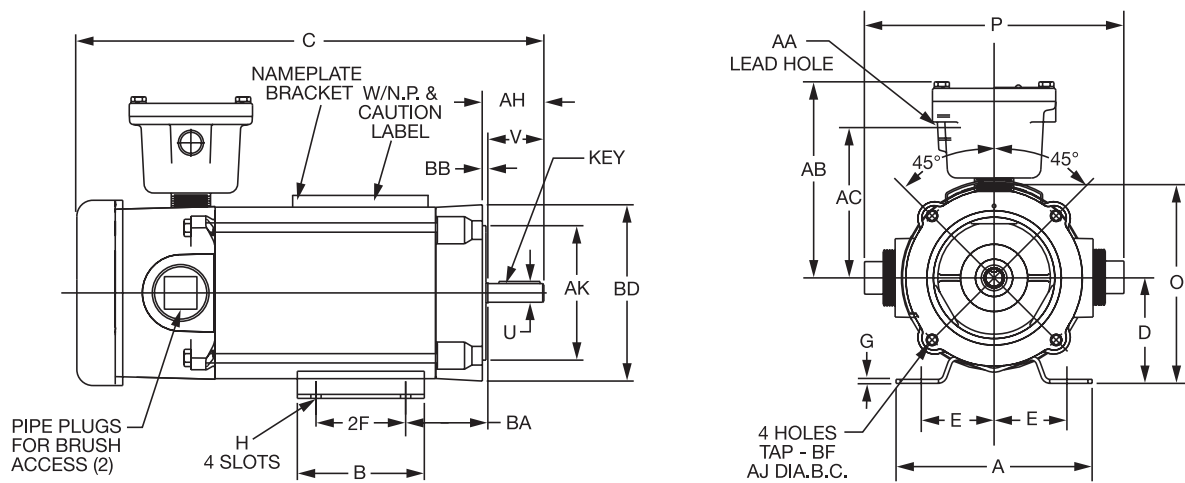
Drawings may also be available from our website at www.baldor.com

* Tap sizes specified are SAE thread size (no metric equivalent).

NEMA explosion proof AC and DC motors

Motor dimensions

SCR drive permanent magnet DC explosion proof motors



NEMA Frame	Type	C	BA	E	2F	G	H	U	V	Key	AH	A	B	D	O	P
56C	3413P	352.30 (13.87)	69.85 (2.75)	61.98 (2.44)	76.20 (3)	6.35 (0.25)	8.64 (0.34)	15.75 (0.62)	47.50 (1.87)	4.83 (0.19)	4.83 (0.19)	166.62 (6.56)	107.95 (4.25)	88.90 (3.5)	161.04 (6.34)	215.14 (8.47)
	3420P	377.70 (14.87)	69.85 (2.75)	61.98 (2.44)	76.20 (3)	6.35 (0.25)	8.64 (0.34)	15.75 (0.62)	47.50 (1.87)	4.83 (0.19)	4.83 (0.19)	166.62 (6.56)	107.95 (4.25)	88.90 (3.5)	161.04 (6.34)	215.14 (8.47)
	3428P	377.70 (14.87)	69.85 (2.75)	61.98 (2.44)	76.20 (3)	6.35 (0.25)	8.64 (0.34)	15.75 (0.62)	47.50 (1.87)	4.83 (0.19)	4.83 (0.19)	166.62 (6.56)	107.95 (4.25)	88.90 (3.5)	161.04 (6.34)	215.14 (8.47)
	3435P	403.10 (15.87)	69.85 (2.75)	61.98 (2.44)	76.20 (3)	6.35 (0.25)	8.64 (0.34)	15.75 (0.62)	47.50 (1.87)	4.83 (0.19)	4.83 (0.19)	166.62 (6.56)	107.95 (4.25)	88.90 (3.5)	161.04 (6.34)	215.14 (8.47)
56C	3536P	466.34 (18.36)	69.85 (2.75)	61.98 (2.44)	76.20 (3)	3.05 (0.12)	8.64 (0.34)	15.75 (0.62)	47.75 (1.88)	4.83 (0.19)	4.83 (0.19)	165.10 (6.5)	114.30 (4.5)	88.90 (3.5)	180.09 (7.09)	236.73 (9.32)
145TC	3548P	493.52 (19.43)	69.85 (2.75)	69.85 (2.75)	101.60 (4)	6.35 (0.25)	8.64 (0.34)	22.10 (0.87)	57.15 (2.25)	4.83 (0.19)	4.83 (0.19)	165.10 (6.5)	150.88 (5.94)	88.90 (3.5)	180.09 (7.09)	236.73 (9.32)
	3548P	493.52 (19.43)	69.85 (2.75)	69.85 (2.75)	127.00 (5)	6.35 (0.25)	8.64 (0.34)	22.10 (0.87)	57.15 (2.25)	4.83 (0.19)	4.83 (0.19)	165.10 (6.5)	150.88 (5.94)	88.90 (3.5)	180.09 (7.09)	236.73 (9.32)

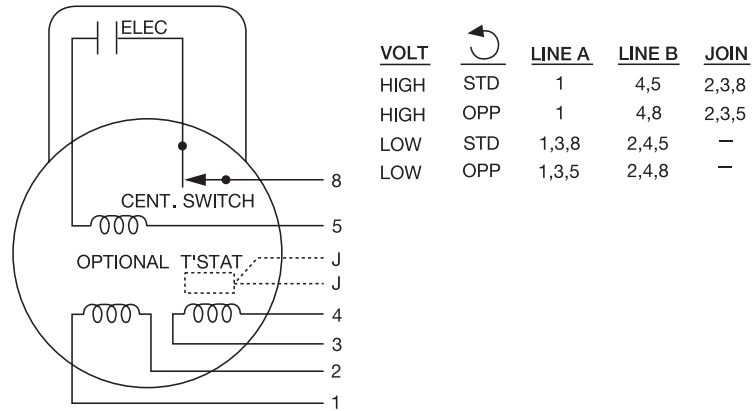
NEMA Frame	Type	AA *	AB	AC	AJ	AK	BB	BD	BF *
56C	3413P	0.50 NPT	166.88 (6.57)	127.76 (5.03)	149.35 (5.88)	114.30 (4.5)	3.05 (0.12)	149.86 (5.9)	3/8-16
	3420P	0.50 NPT	166.88 (6.57)	127.76 (5.03)	149.35 (5.88)	114.30 (4.5)	3.05 (0.12)	149.86 (5.9)	3/8-16
	3428P	0.50 NPT	166.88 (6.57)	127.76 (5.03)	149.35 (5.88)	114.30 (4.5)	3.05 (0.12)	149.86 (5.9)	3/8-16
56C	3536P	0.75 NPT	171.70 (6.76)	133.35 (5.25)	149.35 (5.88)	114.30 (4.5)	3.05 (0.12)	164.08 (6.46)	3/8-16
145TC	3548P	0.75 NPT	171.70 (6.76)	133.35 (5.25)	149.35 (5.88)	114.30 (4.5)	3.05 (0.12)	164.08 (6.46)	3/8-16

Note: Dimensions are in mm (in).
 Drawings shown are for reference only.
 Please contact your regional support office for a detailed dimensional drawing of the specific motor you require.
 Drawings may also be available from our website at www.baldor.com
 * Tap sizes specified are SAE tread size (no metric equivalent).

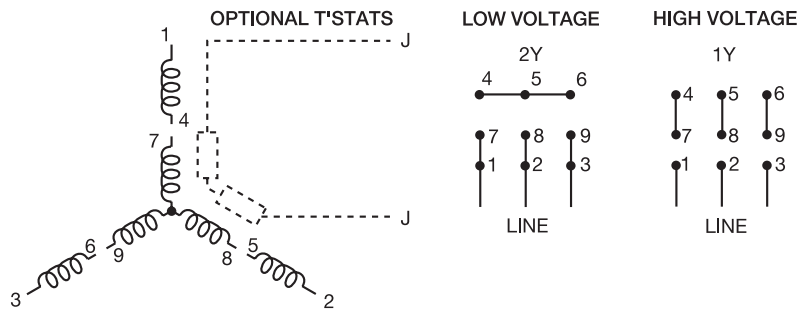
NEMA explosion proof AC and DC motors

Connection diagrams

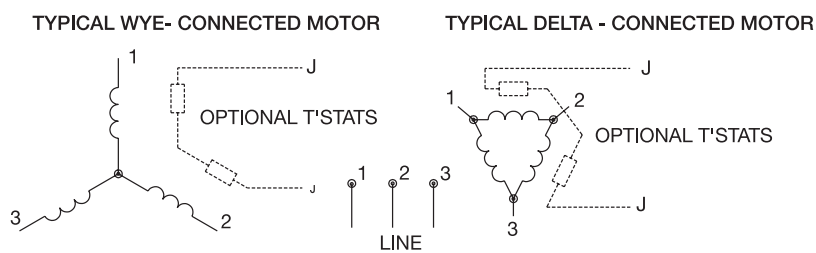
CD0001



CD0005 & 416820-1



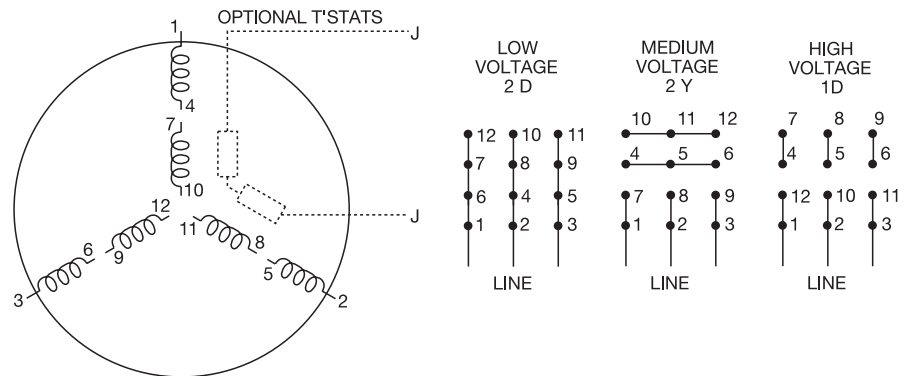
CD0006, 416820-24 & 416820-25



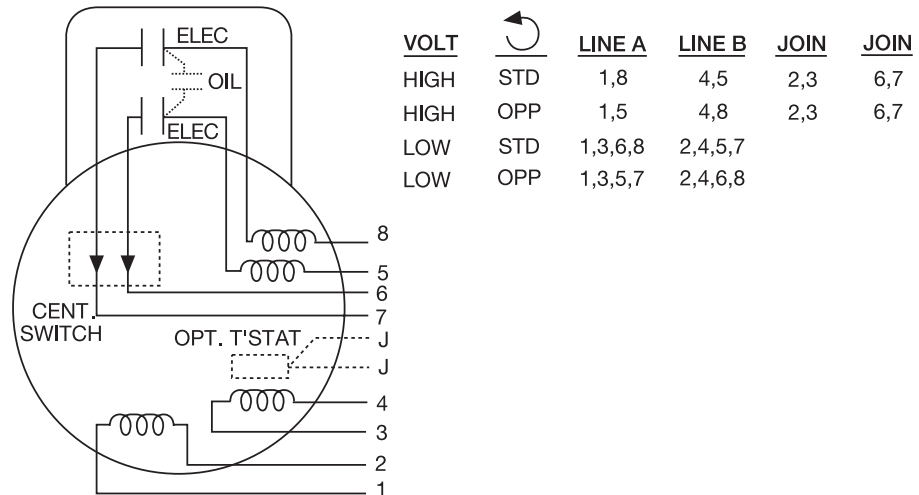
NEMA explosion proof AC and DC motors

Connection diagrams

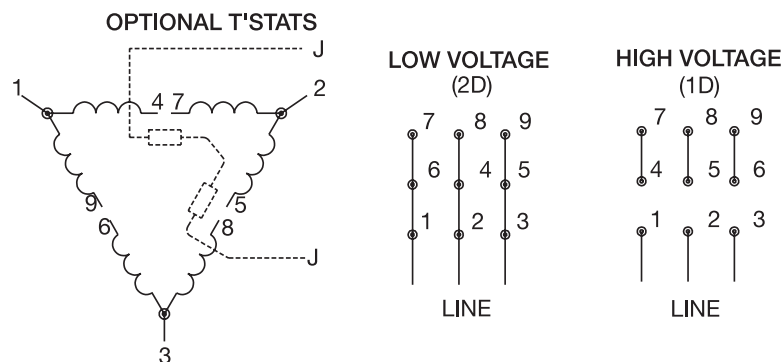
CD0044



CD0076



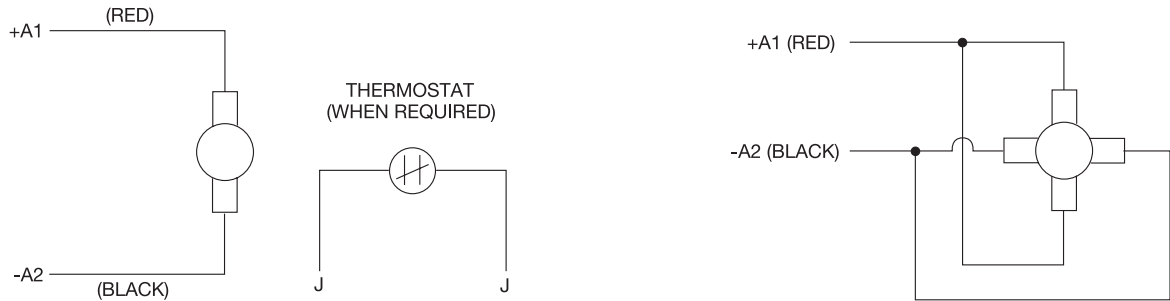
CD0180 & 416820-2



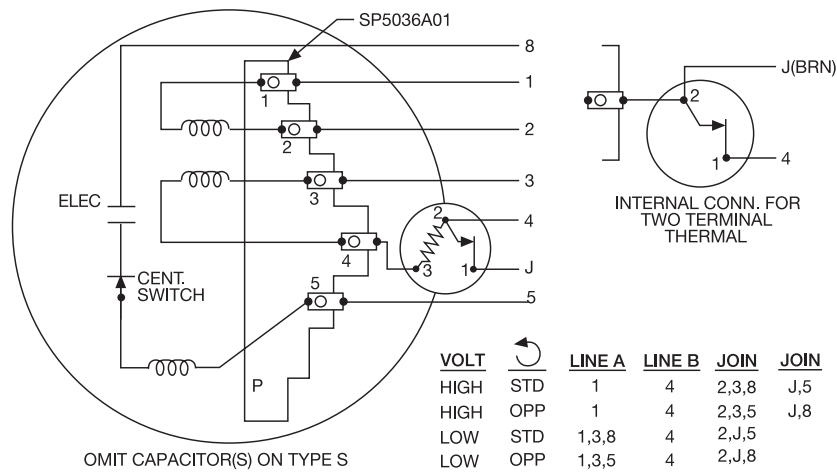
NEMA explosion proof AC and DC motors

Connection diagrams

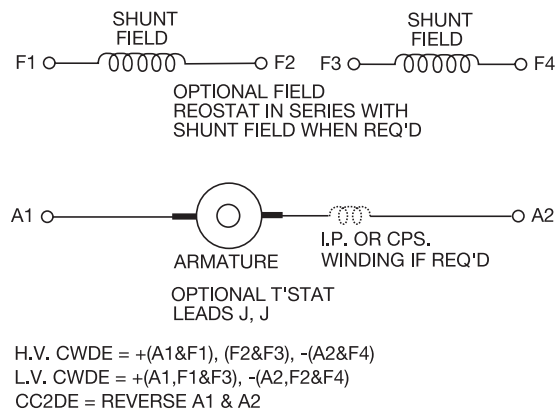
CD0194



CD0565



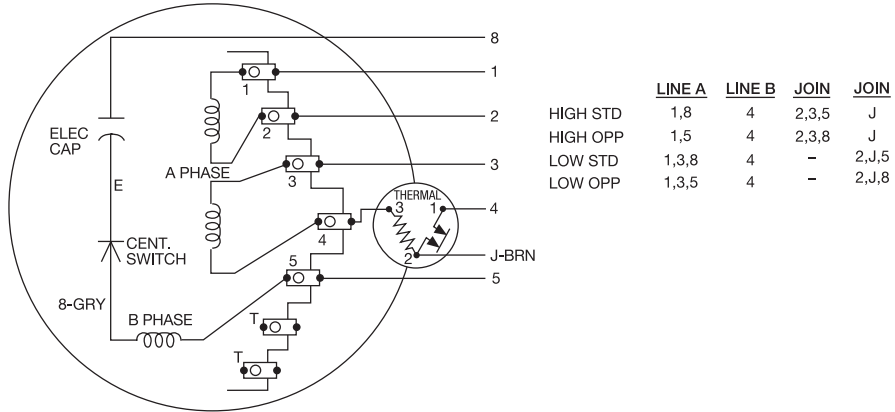
CD0860



NEMA explosion proof AC and DC motors

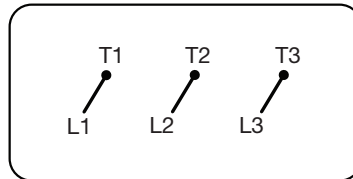
Connection diagrams

CD0885



416820-36

STANDARD 3 LEAD
CONNECTED



NEMA explosion proof AC and DC motors

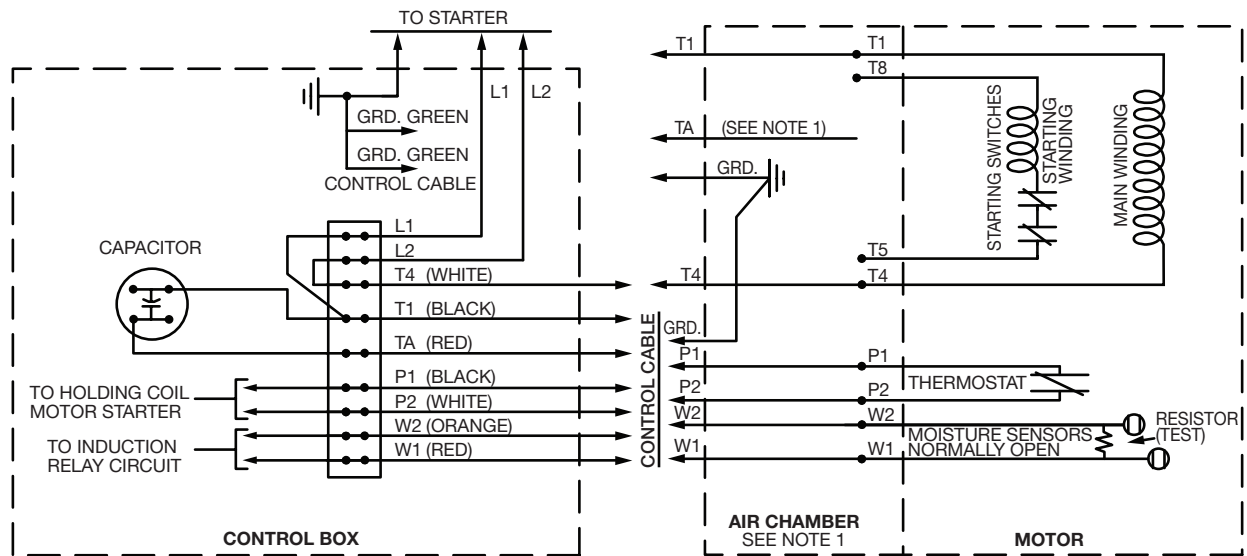
Connection diagrams

416820-101

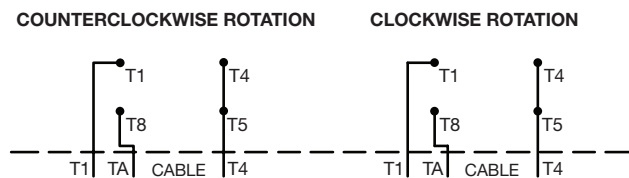
**A-C MOTOR
CONNECTION DIAGRAM**
SINGLE PHASE CAPACITOR START INDUCTION RUN
SINGLE VOLTAGE SUMP PUMP MOTOR CONTROL BOX

WIRING DIAGRAM FOR SINGLE PHASE CAPACITOR START INDUCTION RUN SUMP PUMP MOTOR CONTROL BOX
SINGLE VOLTAGE CLOCKWISE AND COUNTERCLOCKWISE ROTATION (SEE NOTE 1)

THIS CONTROL BOX CONTAINS MOTOR STARTING WINDING CAPACITORS FOR ONE SPECIFIC MOTOR DESIGN AND IS NOT USABLE WITH A MOTOR HAVING A DIFFERENT DESIGN. THIS CONTROL BOX DOES NOT INCLUDE THE NECESSARY MOTOR STARTER WHICH SHOULD BE CONNECTED IN THE POWER CIRCUIT TO THIS CONTROL. ALSO, THIS CONTROL BOX DOES NOT INCLUDE THE NECESSARY INDUCTION RELAY WHICH MUST BE USED IN THE MOISTURE SENSOR CIRCUIT. CONNECT THE MOTOR AND CONTROL BOX FOR THE DESIRED ROTATION ACCORDING TO THE WIRING DIAGRAM AND NOTES BELOW.



- NOTE 1:** IN MOTOR AIR CHAMBER CONNECT FOR DESIRED ROTATION PER WINDING DIAGRAM BELOW.
NOTE 2: MOTOR IS PROVIDED WITH A NORMALLY CLOSED THERMOSTAT, CONNECT P1 AND P2 IN SERIES WITH STARTER HOLDING COIL. THERMOSTAT CURRENT MUST NOT EXCEED 2 AMPS AT 125 VOLTS OR 1 AMP AT 250 VOLTS. DO NOT CONNECT P1 AND P2 IN SERIES WITH A MOTOR POWER LEAD.
NOTE 3: MOTOR IS FURNISHED WITH MULTICONDUCTOR POWER CABLE, THE COLOR CODING IS AS FOLLOWS:
 T1 BLACK T4 WHITE TA RED GRD. GREEN



NEMA explosion proof AC and DC motors

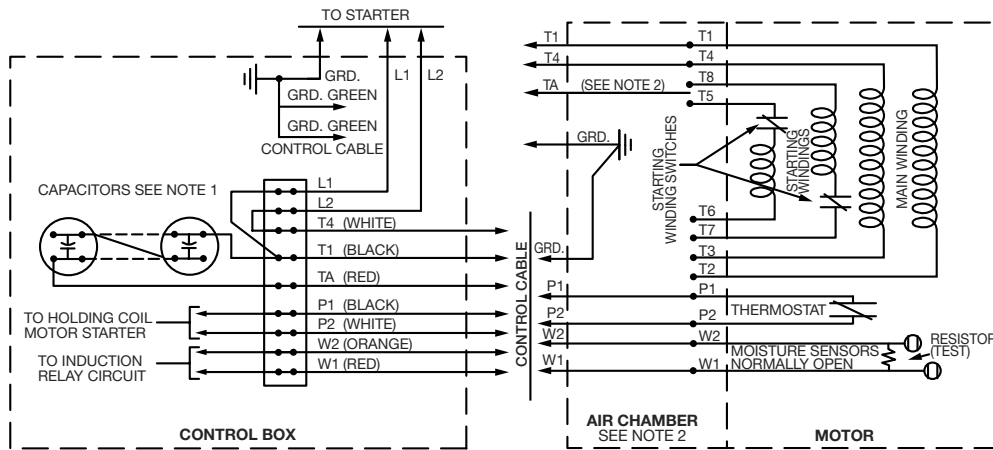
Connection diagrams

416820-102

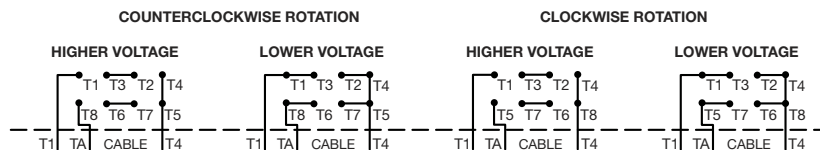
**A-C MOTOR
CONNECTION DIAGRAM**
SINGLE PHASE CAPACITOR START INDUCTION RUN
DUAL VOLTAGE SUMP PUMP MOTOR CONTROL BOX

WIRING DIAGRAM FOR SINGLE PHASE CAPACITOR START INDUCTION RUN SUMP PUMP MOTOR CONTROL BOX
DUAL VOLTAGE CLOCKWISE AND COUNTERCLOCKWISE ROTATION (SEE NOTE 2)

THIS CONTROL BOX CONTAINS MOTOR STARTING WINDING CAPACITORS FOR ONE SPECIFIC MOTOR DESIGN AND IS NOT USABLE WITH A MOTOR HAVING A DIFFERENT DESIGN. THIS CONTROL BOX DOES NOT INCLUDE THE NECESSARY MOTOR STARTER WHICH SHOULD BE CONNECTED IN THE POWER CIRCUIT TO THIS CONTROL. ALSO, THIS CONTROL BOX DOES NOT INCLUDE THE NECESSARY INDUCTION RELAY WHICH MUST BE USED IN THE MOISTURE SENSOR CIRCUIT. CONNECT THE MOTOR AND CONTROL BOX FOR THE DESIRED ROTATION ACCORDING TO THE WIRING DIAGRAM AND NOTES BELOW.



- NOTE 1: CAPACITOR CONNECTIONS: CONNECT IN SERIES AS INDICATED BY SOLID LINE FOR HIGH VOLTAGE AND IN PARALLEL AS INDICATED BY BROKEN LINES FOR LOW VOLTAGE.
- NOTE 2: IN MOTOR AIR CHAMBER CONNECT FOR DESIRED VOLTAGE AND ROTATION PER WINDING DIAGRAM BELOW.
- NOTE 3: MOTOR IS PROVIDED WITH A NORMALLY CLOSED THERMOSTAT, CONNECT P1 AND P2 IN SERIES WITH THE MOTOR STARTER HOLDING COIL. THERMOSTAT CURRENT MUST NOT EXCEED 2 AMPS AT 125 VOLTS OR 1 AMP AT 250 VOLTS. DO NOT CONNECT P1 AND P2 IN SERIES WITH A MOTOR POWER LEAD.
- NOTE 4: MOTOR IS FURNISHED WITH MULTICONDUCTOR POWER CABLE, THE COLOR CODING IS AS FOLLOWS:
T1 BLACK T4 WHITE TA RED GRD. GREEN



Contact us

www.abb.com/motors&generators

We reserve the right to make technical changes or modify the contents of this document without prior notice. With regard to purchase orders, the agreed particulars shall prevail. ABB Ltd does not accept any responsibility whatsoever for potential errors or possible lack of information in this document.

We reserve all rights in this document and in the subject matter and illustrations contained herein. Any reproduction, disclosure to third parties or utilization of its contents - in whole or in part - is forbidden without prior written consent of ABB Ltd.

© Copyright 2014 ABB. All rights reserved.
Specifications subject to change without notice.